

BUTE WS8318

WALL

PROJECT



WS8318-BN
Brushed Nickel



WS8318-CH
Chrome



WS8318-BK
Black

SPECIFICATION DETAILS

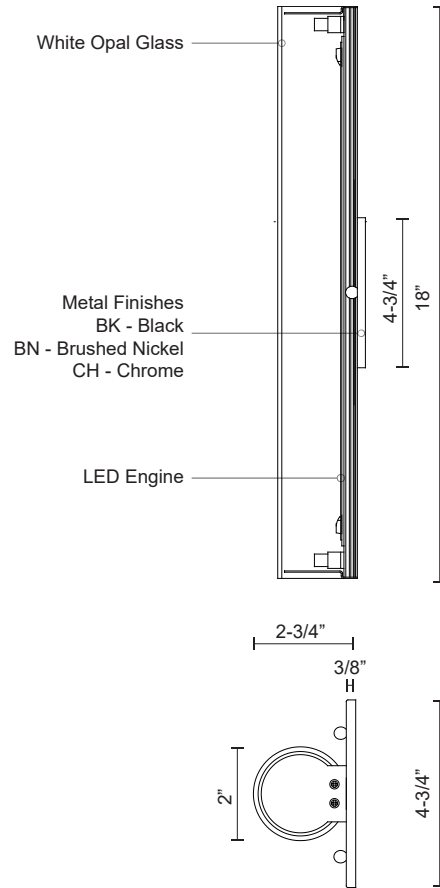
Fixture Dimensions	W2" x H18" x E2-3/4"
Light Source	AC LED Module
Wattage	22W
Total Lumens	1600lm
Delivered Lumens	CH-1302lm
Voltage	120V
Color Temperature	3000K
CRI (Ra)	90CRI
Optional Color Temps	2700K - 5000K Available, Minimum Order Quantities Apply
LED Rated Life	50,000 hours
Dimming	100% - 10%, ELV Dimmer (Not Included)
Glass Details	Opal Glass
ADA Compliant	Yes
Location	Dry
Mounting Style	All Orientation; Wall;
CEC Title 24 JA8	Yes, JA8-2022
Energy Star Certified	Energy Star Compliant
Canopy Dimensions	D4-3/4" x E3/8"

* For custom options, consult factory for details.

* For warranty information, please visit www.kuzcolighting.com/warranty

DESCRIPTION

LED wall sconce with cylinder shaped white opal glass. Metal details in brushed nickel or chrome finish and is equipped with our powerful 120V AC LED technology. Available in for two different styles and sizes, view series for more details.



KUZCO

19054 28TH AVENUE
SURREY - BC V3Z 6M3
CANADA

WWW.KUZCOLIGHTING.COM

COMMENT

