

DUNE WS19914

WALL

PROJECT



WS19914-BN
Brushed Nickel



WS19914-BK
Black

SPECIFICATION DETAILS

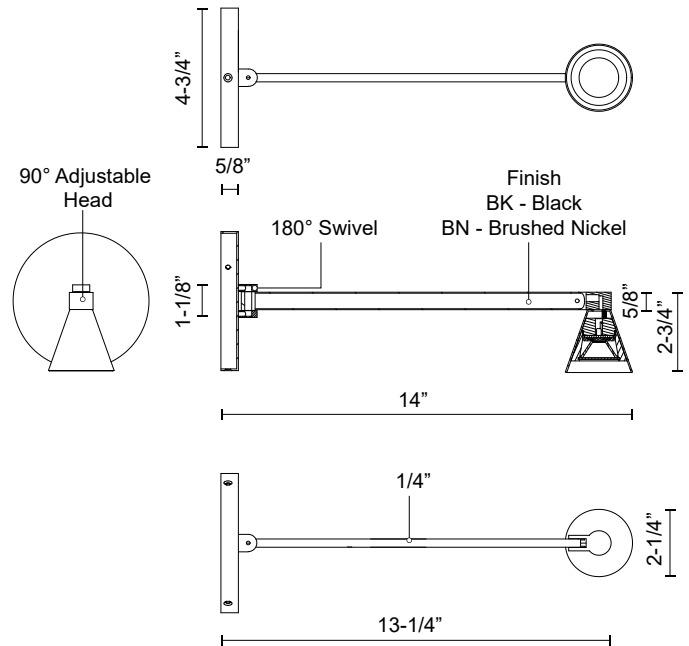
Fixture Dimensions	W2-1/4" x H2-3/4" x E14"
Light Source	LED with DC Driver
Wattage	5W
Total Lumens	510lm
Delivered Lumens	BK-438lm
Voltage	120V
Color Temperature	3000K
CRI (Ra)	90CRI
Optional Color Temps	2700K - 5000K Available, Minimum Order Quantities Apply
LED Rated Life	50,000 hours
Dimming	100% - 10%, TRIAC or ELV Dimmer (Not Included)
Diffuser Details	Parabolic Metalized PC Reflector + Clear Lens
Shade Details	Machined Aluminum Shade
Location	Dry
Mounting Style	All Orientation; Wall;
CEC Title 24 JA8	Yes, JA8-2022
Canopy Dimensions	D4-3/4" x E5/8"
Paint Finish	BK02; BN01;

* For custom options, consult factory for details.

* For warranty information, please visit www.kuzcolighting.com/warranty

DESCRIPTION

Multiple spun aluminum cones are connected inline and direct light downwards from the geometric linear pendant. The Dune series classic minimalist lamp shapes yet in reduced scale to elegant effect. The LED spot sources are focused by diminutive reflectors housed within the exquisitely turned shades. Available in multiple configurations and finishes.



KUZCO

CANADA: 19054 28TH AVENUE - SURREY, BC V3Z 6M3

USA: 3035 E. LONE MOUNTAIN ROAD - LAS VEGAS, NV 89081

WWW.KUZCOLIGHTING.COM

© 2021 KUZCO LIGHTING. ALL RIGHTS RESERVED.

COMMENT

