

ANNAPOLIS VL54516

VANITY

PROJECT

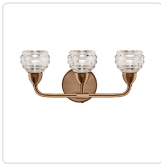


DESCRIPTION

Classic but modern LED three light vanity, spaced across a sleekly designed horizontal curved rods are elegant cannikins which omit the light beautifully through billowing heavy gauged die-cast clear glass. Polished chrome details and is equipped with our powerful 120V AC LED technology. Can be mounted upward or downward and similar styled pendants and walls sconces available. See series for full family details.



VL54516-CH
Chrome

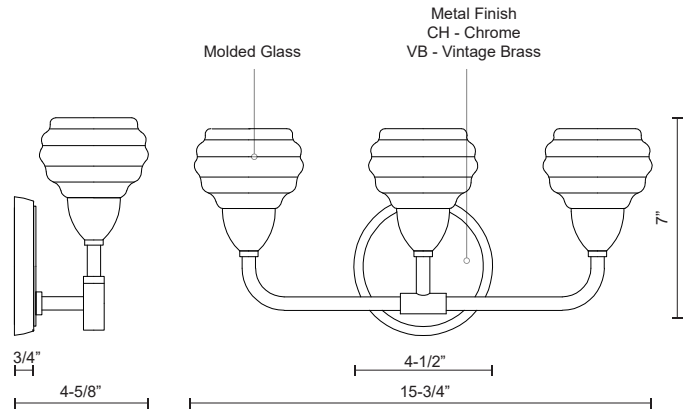


VL54516-VB
Vintage Brass

SPECIFICATION DETAILS

* For custom options, consult factory for details.

Fixture Dimensions	W15-3/4" x H7" x E4-5/8"
Light Source	LED
Wattage	15W
Total Lumens	1200lm
Delivered Lumens	CH-688lm
Voltage	120V
Color Temperature	3000K
CRI (Ra)	>90
Optional Color Temps	2700K - 5000K Available, Minimum Order Quantities Apply
LED Rated Life	50,000 hours
Dimming	100% - 10%, ELV Dimmer (Not Included)
Glass Details	Molded Clear Glass
Location	Damp
Warranty	5 Years
Canopy Dimensions	D4-1/2" x E3/4"



KUZCO

19054 28TH AVENUE
SURREY - BC V3Z 6M3
CANADA

WWW.KUZCOLIGHTING.COM

COMMENT

