

# CITADEL VL52105

VANITY

PROJECT



VL52105-CH  
Chrome

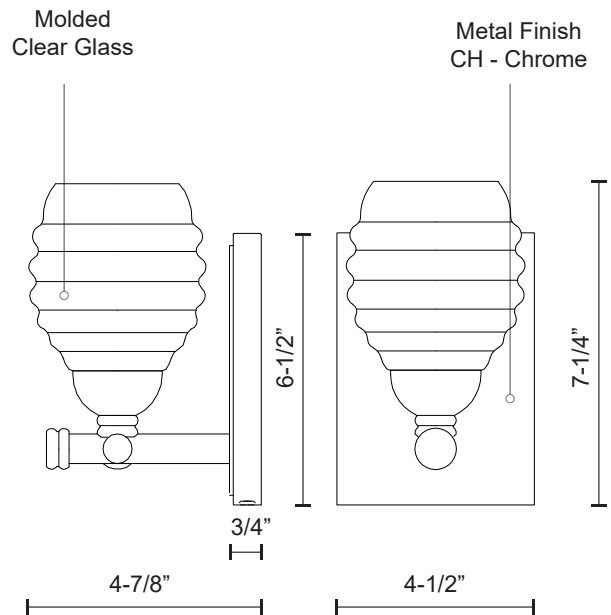
## SPECIFICATION DETAILS

\* For custom options, consult factory for details.

<b>Fixture Dimensions</b>	W4-1/2" x H7-1/4" x E4-7/8"
<b>Light Source</b>	LED
<b>Wattage</b>	5W
<b>Total Lumens</b>	400lm
<b>Delivered Lumens</b>	CH-245lm
<b>Voltage</b>	120V
<b>Color Temperature</b>	3000K
<b>CRI (Ra)</b>	>90
<b>Optional Color Temps</b>	2700K - 5000K Available, Minimum Order Quantities Apply
<b>LED Rated Life</b>	50,000 hours
<b>Dimming</b>	100% - 10%, ELV Dimmer (Not Included)
<b>Location</b>	Damp
<b>Warranty</b>	5 Years
<b>Canopy Dimensions</b>	W4-1/2" x H6-1/2" x E3/4"

## DESCRIPTION

Vintage but modern LED single light vanity with elegant cannikin which omits the light beautifully through a billowing heavy gauged die-cast clear glass. Polished chrome details and is equipped with our powerful 120V AC LED technology. Can be mounted upward or downward and similar styled chandelier, pendants and walls sconces available. See series for full family details.



# KUZCO

19054 28TH AVENUE  
SURREY - BC V3Z 6M3  
CANADA

WWW.KUZCOLIGHTING.COM

COMMENT

