

**BRAZEN**  
**VL16727**  
VANITY

PROJECT



VL16727-CH  
Chrome



VL16727-BK  
Black

**SPECIFICATION DETAILS**

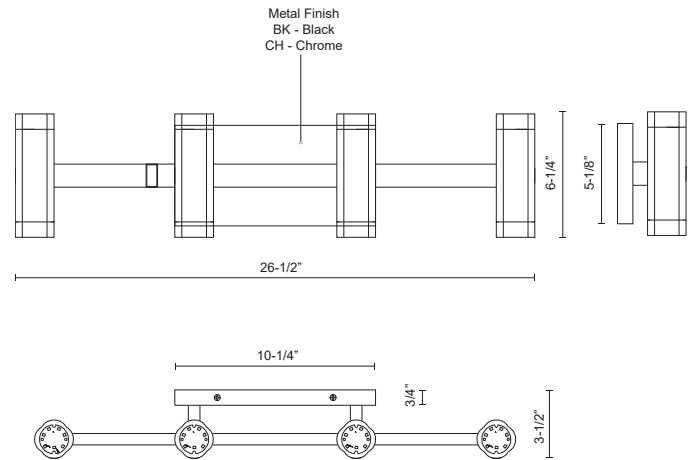
<b>Fixture Dimensions</b>	W26-1/2" x H6-1/4" x E3-1/2"
<b>Light Source</b>	AC LED Module
<b>Wattage</b>	44W
<b>Total Lumens</b>	4250lm
<b>Delivered Lumens</b>	CH-911lm; BK-824lm;
<b>Voltage</b>	120V
<b>Color Temperature</b>	3000K
<b>CRI (Ra)</b>	90CRI
<b>Optional Color Temps</b>	2700K - 5000K Available, Minimum Order Quantities Apply
<b>LED Rated Life</b>	50,000 hours
<b>Dimming</b>	100% - 10%, ELV Dimmer (Not Included)
<b>Diffuser Details</b>	Frosted acrylic diffuser
<b>ADA Compliant</b>	Yes
<b>Location</b>	Damp
<b>Illumination Direction</b>	Up and Down
<b>Mounting Style</b>	All Orientation; Wall;
<b>CEC Title 24 JA8</b>	Yes, JA8-2022
<b>Canopy Dimensions</b>	W10-1/4" x H5-1/8" x E3/4"
<b>Paint Finish</b>	BK02; CH01;

\* For custom options, consult factory for details.

\* For warranty information, please visit [www.kuzcolighting.com/warranty](http://www.kuzcolighting.com/warranty)

**DESCRIPTION**

Extruded aluminum quatrefoil lamps on rectangular wall mount. Finely textured powder-coat or plated finish. Opal diffuser caps. Up and down light. Custom options available.



**KUZCO**

CANADA: 19054 28TH AVENUE - SURREY, BC V3Z 6M3  
USA: 3035 E. LONE MOUNTAIN ROAD - LAS VEGAS, NV 89081

[WWW.KUZCOLIGHTING.COM](http://WWW.KUZCOLIGHTING.COM)

© 2019 KUZCO LIGHTING. ALL RIGHTS RESERVED.

**COMMENT**

