

**ASHER**  
**TL64108**  
 TABLE LAMPS

PROJECT



TL64108-BK Black    TL64108-SY Sky Blue    TL64108-NV Navy Blue    TL64108-CM Cream    TL64108-GN Sage Green

**SPECIFICATION DETAILS**

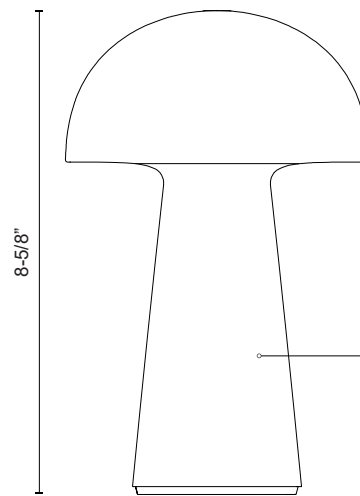
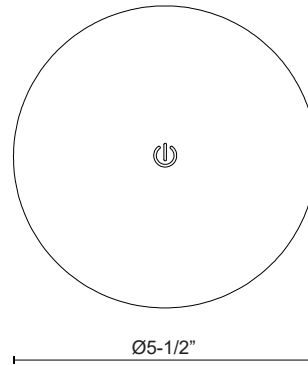
<b>Fixture Dimensions</b>	D5-1/2" x H8-5/8"
<b>Light Source</b>	LED
<b>Wattage</b>	3W
<b>Total Lumens</b>	200lm
<b>Delivered Lumens</b>	BK-110lm*; CM-125lm*; GN-110lm*; NV-110lm*; SY-120lm*;
<b>Voltage</b>	LI-Battery
<b>Color Temperature</b>	2700K
<b>CRI (Ra)</b>	90CRI
<b>Optional Color Temps</b>	2700K - 5000K Available, Minimum Order Quantities Apply
<b>LED Rated Life</b>	50,000 hours
<b>Dimming</b>	3-Step Touch Dimmer
<b>Diffuser Details</b>	Frosted Acrylic Lens
<b>Shade Details</b>	Polymeric Shade
<b>Location</b>	Dry
<b>Illumination Direction</b>	Down
<b>Material</b>	Polymeric
<b>Paint Finish</b>	BK01; CM; GN; NV; SY;

\* For custom options, consult factory for details.  
 \* For warranty information, please visit [www.kuzcolighting.com/warranty](http://www.kuzcolighting.com/warranty)

**DESCRIPTION**

Meet Asher: Your rechargeable companion with a touch of mid-century charm. Embrace the sleek mushroom silhouette, powered by integrated LED technology. With a palette of vibrant hues to choose from, Asher effortlessly elevates any space. Illuminate your world, stylishly portable with Asher.

- Rechargeable table lamp (charger included)
- Integrated LED, no need for bulbs
- Tap to dim feature
- 5 Hours of illumination on 100% brightness
- Finish options: Sage Green, Cream, Sky Blue, Navy Blue, and Black



Finish  
 BK - Black  
 CM - Cream  
 GN - Sage Green  
 SY - Sky Blue  
 NV - Navy Blue

**KUZCO**

CANADA: 19054 28TH AVENUE - SURREY, BC V3Z 6M3  
 USA: 3035 E. LONE MOUNTAIN ROAD - LAS VEGAS, NV 89081

[WWW.KUZCOLIGHTING.COM](http://WWW.KUZCOLIGHTING.COM)  
 © 2024 KUZCO LIGHTING. ALL RIGHTS RESERVED.

**COMMENT**