

CORTANA PD82732

PENDANTS

PROJECT



PD82732-BK
Black



PD82732-WH
White

SPECIFICATION DETAILS

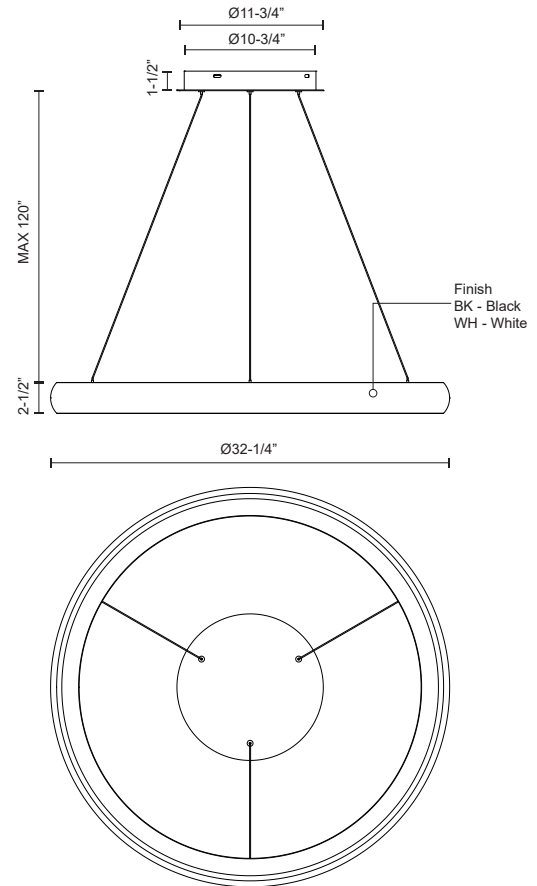
Fixture Dimensions	D32-1/4" x H2-1/2"
Light Source	LED with DC Driver
Wattage	60W
Total Lumens	4800lm
Delivered Lumens	BK-2280lm; WH-3060lm;
Voltage	120V
Color Temperature	3000K
CRI (Ra)	90CRI
Optional Color Temps	2700K - 5000K Available, Minimum Order Quantities Apply
LED Rated Life	50,000 hours
Dimming	100% - 10%, TRIAC or ELV Dimmer (Not Included)
Diffuser Details	White Acrylic Diffuser
Adjustable	Yes
Wire Length	120" Max
Wire Type	Clear Coaxial Wire
Minimum Hang Height	24"
Sloped Ceiling Adaptable	Yes
Location	Dry
Canopy Dimensions	D11-3/4" x H1-1/2"
Paint Finish	BK01; WH01;

* For custom options, consult factory for details.

* For warranty information, please visit www.kuzcolighting.com/warranty

DESCRIPTION

A curved band of powder-coated aluminum arcs around a central void forming and encapsulating an illuminated ring. Held within the perimeter structure of the CORTANA pendant is a circumferential LED light array spreading uniform radiance via the polymeric diffuser loop. Available in multiple sizes.



KUZCO

CANADA: 19054 28TH AVENUE - SURREY, BC V3Z 6M3

USA: 3035 E. LONE MOUNTAIN ROAD - LAS VEGAS, NV 89081

WWW.KUZCOLIGHTING.COM

© 2019 KUZCO LIGHTING. ALL RIGHTS RESERVED.

COMMENT

