

CUMULUS MINOR PD80372

PENDANTS

PROJECT



DESCRIPTION

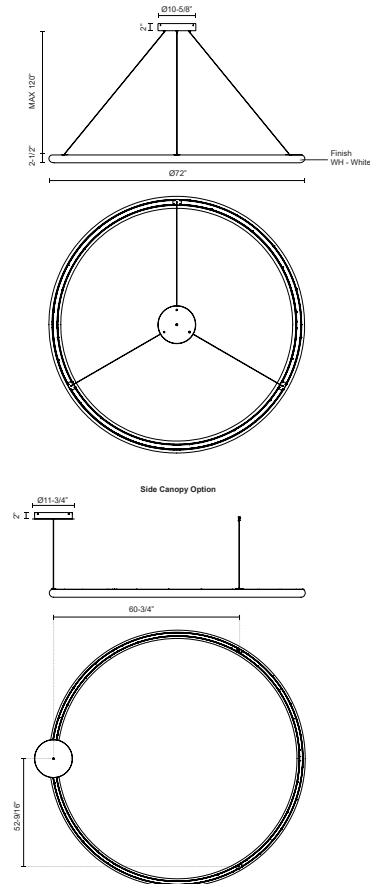
An illuminated circumference of bright uniform light the CUMULUS MINOR is devoid of extraneous detail appearing as a single endless loop. The miniscule ovoid profile of the polymeric ring condenses the lamp assembly into a compact yet airy visual footprint, a reduced scale from the substantial CUMULUS pendant series. Available in multiple sizes.

SPECIFICATION DETAILS

Fixture Dimensions	D72" x H2-1/2"
Light Source	LED with DC Driver
Wattage	127W
Total Lumens	13335lm
Delivered Lumens	8891lm*
Voltage	120V
Color Temperature	3000K
CRI (Ra)	90CRI
Optional Color Temps	2700K - 5000K Available, Minimum Order Quantities Apply
LED Rated Life	50,000 hours
Dimming	100% - 10%, TRIAC or ELV Dimmer (Not Included)
Diffuser Details	White Acrylic Diffuser
Adjustable	Yes
Wire Length	120" Max
Wire Type	Clear Coaxial Wire
Sloped Ceiling Adaptable	Yes
Location	Dry
Canopy Dimensions	D11-3/4" x H2"
Finish Option(s)	White

* For custom options, consult factory for details.

* For warranty information, please visit www.kuzcolighting.com/warranty



KUZCO

CANADA: 19054 28TH AVENUE - SURREY, BC V3Z 6M3

USA: 3035 E. LONE MOUNTAIN ROAD - LAS VEGAS, NV 89081

WWW.KUZCOLIGHTING.COM

© 2021 KUZCO LIGHTING. ALL RIGHTS RESERVED.

COMMENT