

# MORINA PD32901

## PENDANTS

PROJECT



PD32901-WK  
White Oak



PD32901-WT  
Walnut

### SPECIFICATION DETAILS

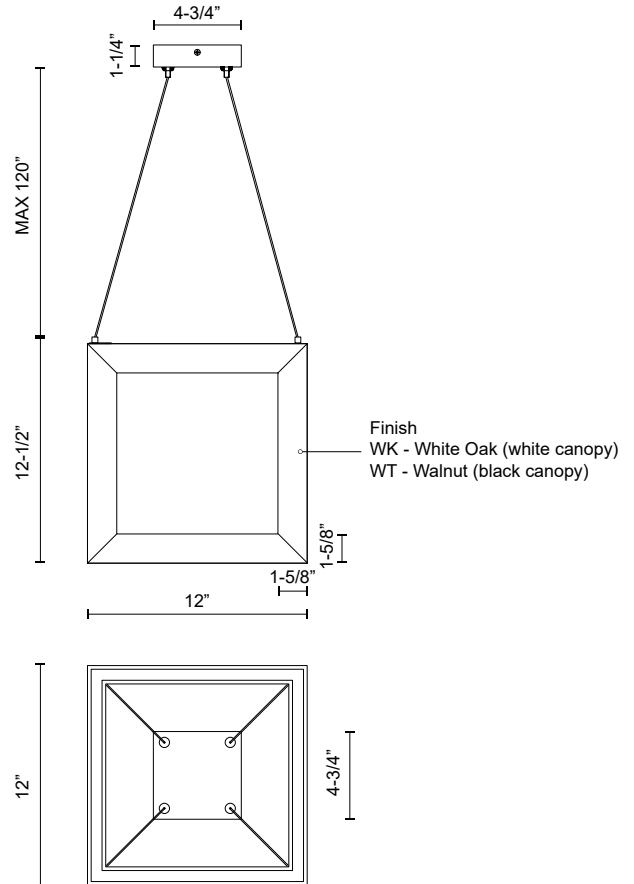
|                                 |   |
|---------------------------------|---|
| <b>Fixture Dimensions</b>       | L12" x W12" x H12-1/2"                                  |
| <b>Light Source</b>             | LED with DC Driver                                      |
| <b>Wattage</b>                  | 20W   |
| <b>Total Lumens</b>             | 1600lm  |
| <b>Delivered Lumens</b>         | 700lm*  |
| <b>Voltage</b>                  | 120V  |
| <b>Color Temperature</b>        | 3000K   |
| <b>CRI (Ra)</b>                 | 90CRI   |
| <b>Optional Color Temps</b>     | 2700K - 5000K Available, Minimum Order Quantities Apply |
| <b>LED Rated Life</b>           | 50,000 hours  |
| <b>Dimming</b>                  | 100% - 10%, TRIAC or ELV Dimmer (Not Included)          |
| <b>Diffuser Details</b>         | White Silicone  |
| <b>Adjustable</b>               | Yes   |
| <b>Wire Length</b>              | 120" Max  |
| <b>Wire Type</b>                | WK - White; WT - Black                                  |
| <b>Minimum Hang Height</b>      | 24"   |
| <b>Sloped Ceiling Adaptable</b> | Yes   |
| <b>Location</b>                 | Dry   |
| <b>Illumination Direction</b>   | Up/Down   |
| <b>CEC Title 24 JA8</b>         | Yes, JA8-2022   |
| <b>Canopy Dimensions</b>        | L4-3/4" x W4-3/4" x H1-1/4"                             |
| <b>Paint Finish</b>             | WK01; WT01;   |

\* For custom options, consult factory for details.

\* For warranty information, please visit [www.kuzcolighting.com/warranty](http://www.kuzcolighting.com/warranty)

### DESCRIPTION

The Morina Collection is a fantastic way to bring natural tones and geometric designs inside the home. Stunning wood veneer provides a home for the frosted silicone diffuser and delivers ample up-and-down lighting that's great for any space in the home. The modern cubist shapes and white oak or walnut color options blend well with modern décor or rustic-style interiors.



# KUZCO

CANADA: 19054 28TH AVENUE - SURREY, BC V3Z 6M3  
USA: 3035 E. LONE MOUNTAIN ROAD - LAS VEGAS, NV 89081

[WWW.KUZCOLIGHTING.COM](http://WWW.KUZCOLIGHTING.COM)

© 2023 KUZCO LIGHTING. ALL RIGHTS RESERVED.

### COMMENT

