

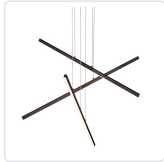
# VEGA MP10303

## PENDANTS

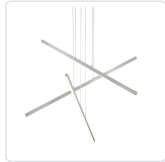
PROJECT



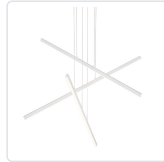
MP10303-BG  
Brushed Gold



MP10303-BK  
Black



MP10303-BN  
Brushed Nickel



MP10303-WH  
White

### SPECIFICATION DETAILS

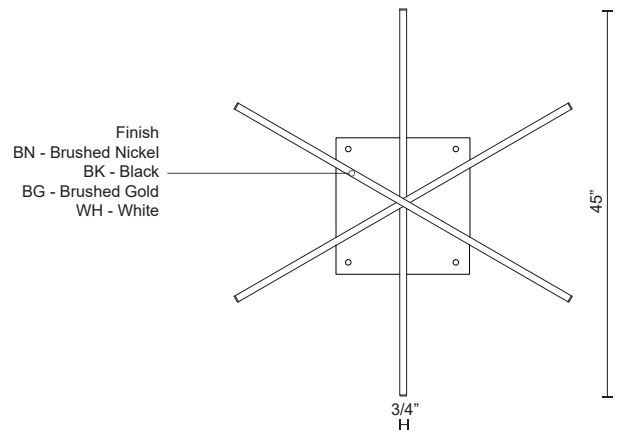
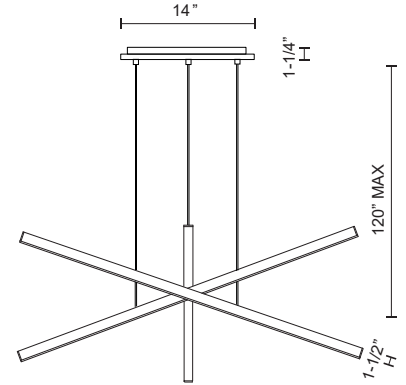
<b>Fixture Dimensions</b>	L45" x W3/4" x H1-1/2"
<b>Light Source</b>	AC LED Module
<b>Wattage</b>	92W
<b>Total Lumens</b>	7200lm
<b>Delivered Lumens</b>	BK-3039lm; BN-4653lm; GD-4482lm; WH-5115lm;
<b>Voltage</b>	120V
<b>Color Temperature</b>	3000K
<b>CRI (Ra)</b>	90CRI
<b>Optional Color Temps</b>	2700K - 5000K Available, Minimum Order Quantities Apply
<b>LED Rated Life</b>	50,000 hours
<b>Dimming</b>	100% - 10%, ELV Dimmer (Not Included)
<b>Diffuser Details</b>	White Acrylic Diffuser
<b>Adjustable</b>	Yes
<b>Wire Length</b>	120" Max
<b>Wire Type</b>	Clear SSL Wire
<b>Minimum Hang Height</b>	8"
<b>Sloped Ceiling Adaptable</b>	Yes
<b>Location</b>	Dry
<b>Canopy Dimensions</b>	L14" x W14" x H1-1/4"
<b>Paint Finish</b>	BG01; BK02; BN02; WH02;

\* For custom options, consult factory for details.

\* For warranty information, please visit [www.kuzcolighting.com/warranty](http://www.kuzcolighting.com/warranty)

### DESCRIPTION

The linear lights can be configured at different heights and angles to create distinct sculptural orientations. Ordered into clean parallels or jumbled in playful asymmetry, Vega can be customized to complement any space.



# KUZCO

CANADA: 19054 28TH AVENUE - SURREY, BC V3Z 6M3

USA: 3035 E. LONE MOUNTAIN ROAD - LAS VEGAS, NV 89081

[WWW.KUZCOLIGHTING.COM](http://WWW.KUZCOLIGHTING.COM)

© 2018 KUZCO LIGHTING. ALL RIGHTS RESERVED.

### COMMENT

