

# ENZO LP29560

## PENDANTS

PROJECT



LP29560-BK  
Black

### SPECIFICATION DETAILS

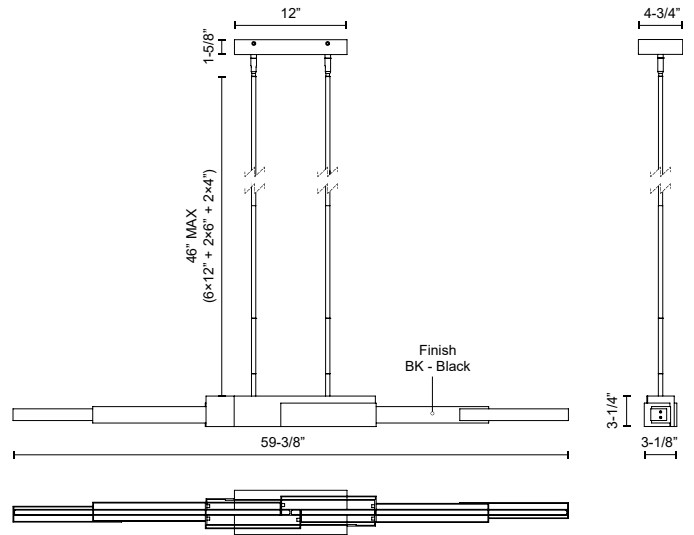
<b>Fixture Dimensions</b>	L59-3/8" x W3-1/8" x H3-1/4"
<b>Light Source</b>	LED with DC Driver
<b>Wattage</b>	62W
<b>Total Lumens</b>	5100lm
<b>Delivered Lumens</b>	3317lm
<b>Voltage</b>	120V
<b>Color Temperature</b>	3000K
<b>CRI (Ra)</b>	90CRI
<b>Optional Color Temps</b>	2700K - 5000K Available, Minimum Order Quantities Apply
<b>LED Rated Life</b>	50,000 hours
<b>Dimming</b>	100% - 10%, TRIAC or ELV Dimmer (Not Included)
<b>Diffuser Details</b>	White Acrylic
<b>Adjustable</b>	Yes
<b>Rod Length</b>	46" Max (6x12" + 2x6" + 2x4")
<b>Minimum Hang Height</b>	12"
<b>Sloped Ceiling Adaptable</b>	Yes, Up to 45 Degrees
<b>Location</b>	Dry
<b>Illumination Direction</b>	Up/Down
<b>CEC Title 24 JA8</b>	Yes, JA8-2022
<b>Canopy Dimensions</b>	L12" x W4-3/4" x H1-5/8"
<b>Paint Finish</b>	BK02

\* For custom options, consult factory for details.

\* For warranty information, please visit [www.kuzcolighting.com/warranty](http://www.kuzcolighting.com/warranty)

### DESCRIPTION

The Enzo Collection is a modern take on the brilliance of Art-deco design. From the thoughtful details to the contemporary duotone finish, these fixtures are hard to appreciate without being seen in person. The lighting is omni directional, with frosted acrylic diffusers that are spectacular for setting a mood indoors



# KUZCO

CANADA: 19054 28TH AVENUE - SURREY, BC V3Z 6M3

USA: 3035 E. LONE MOUNTAIN ROAD - LAS VEGAS, NV 89081

[WWW.KUZCOLIGHTING.COM](http://WWW.KUZCOLIGHTING.COM)

© 2023 KUZCO LIGHTING. ALL RIGHTS RESERVED.

### COMMENT

