

COMO  
EW48302

WALL

PROJECT

DESCRIPTION

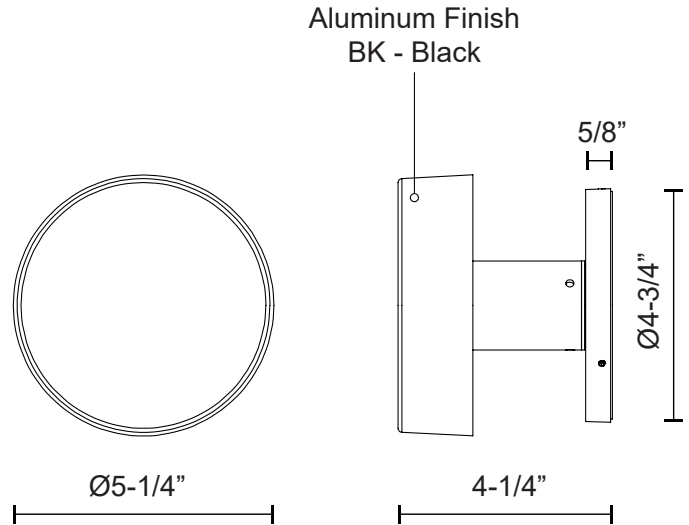
Architectural designed exterior wall sconce, die-cast aluminum cylinder shield light source to provide even, direct illumination on wall surface.



SPECIFICATION DETAILS

\* For custom options, consult factory for details.

Fixture Dimensions	D5-1/4" x E4-1/4"
Light Source	LED with DC Driver
Wattage	6W
Total Lumens	630lm
Delivered Lumens	BK-434lm
Voltage	120V
Color Temperature	3000K
CRI (Ra)	80CRI
Optional Color Temps	2700K - 5000K Available, Minimum Order Quantities Apply
LED Rated Life	50,000 hours
Dimming	100% - 10%, TRIAC or ELV Dimmer (Not Included)
Diffuser Details	Clear PC
Location	Wet, IP65
Compliance	IP65
Warranty	5 Years
Mounting Style	All Orientation; Wall;
Canopy Dimensions	D4-3/4" x E5/8"
Finish Option(s)	Black



KUZCO

19054 28TH AVENUE  
SURREY - BC V3Z 6M3  
CANADA

WWW.KUZCOLIGHTING.COM

COMMENT

