

**BRISTOL  
ER9420-CBOX  
STEP LIGHTS**

PROJECT

**DESCRIPTION**

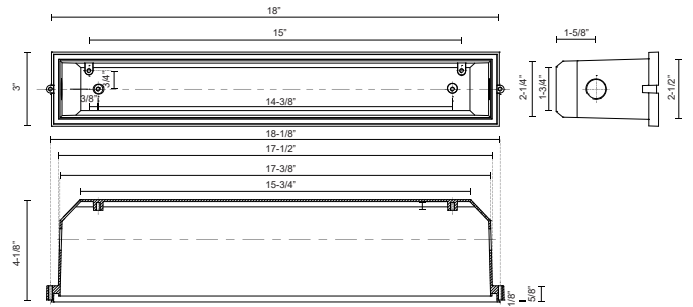
Die cast wet location back box compatible with the ER7120 and ER9420.



**SPECIFICATION DETAILS**

\* For custom options, consult factory for details.

<b>Fixture Dimensions</b>	W18" x H3" x E4-1/8"
<b>Location</b>	Wet
<b>Warranty</b>	5 Years



**KUZCO**

19054 28TH AVENUE  
SURREY - BC V3Z 6M3  
CANADA

WWW.KUZCOLIGHTING.COM

COMMENT

