

**BRISTOL
ER9410-MBOX
STEP LIGHTS**

PROJECT

DESCRIPTION

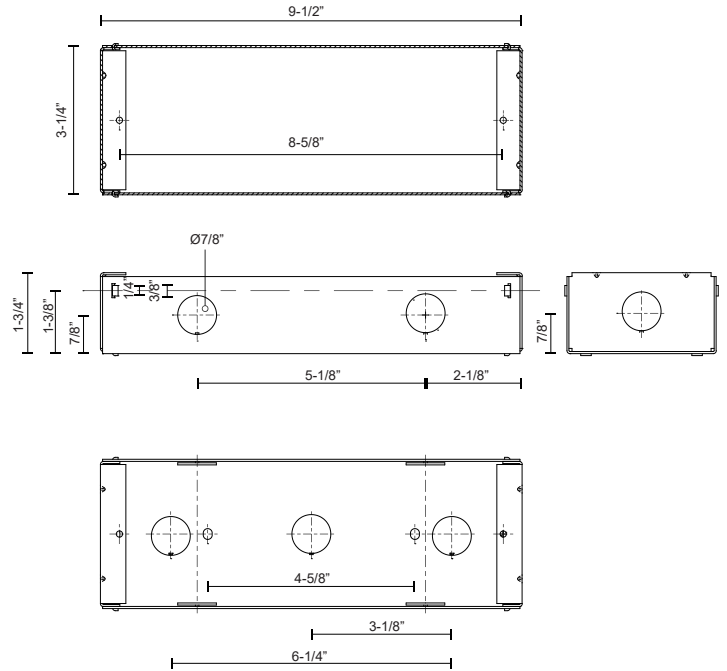
Dry location back box compatible with the ER7110 and ER9410.



SPECIFICATION DETAILS

* For custom options, consult factory for details.

Fixture Dimensions	W9-1/2" x H3-1/4" x E1-3/4"
Location	Dry
Warranty	5 Years



KUZCO

19054 28TH AVENUE
SURREY - BC V3Z 6M3
CANADA

WWW.KUZCOLIGHTING.COM

COMMENT

