

**BRISTOL
ER9410-CBOX
STEP LIGHTS**

PROJECT

DESCRIPTION

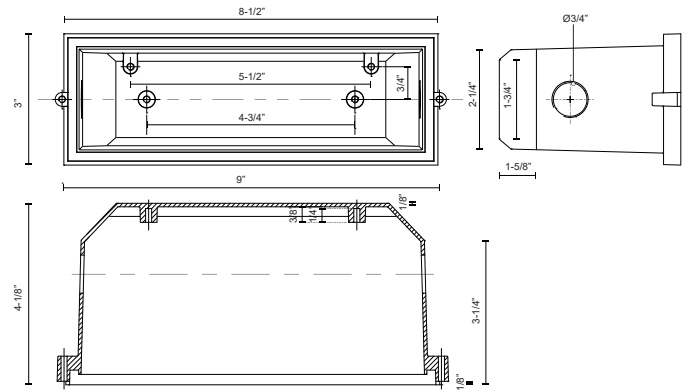
Die cast wet location back box compatible with the ER7110 and ER9410.



SPECIFICATION DETAILS

* For custom options, consult factory for details.

Fixture Dimensions	W9" x H3" x E4-1/8"
Location	Wet
Warranty	5 Years



KUZCO

19054 28TH AVENUE
SURREY - BC V3Z 6M3
CANADA

WWW.KUZCOLIGHTING.COM

COMMENT

