

HARTFORD EC16608

CEILING

PROJECT



EC16608-WH
White



EC16608-BK
Black

SPECIFICATION DETAILS

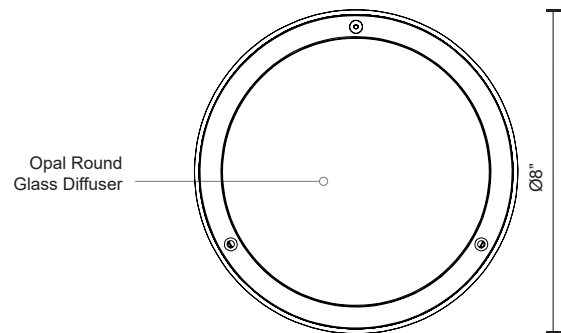
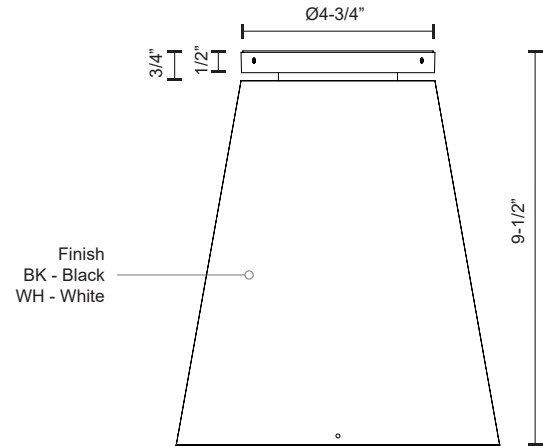
| | |
|-----------------------------|---|
| Fixture Dimensions | D8" x H9 1/2" |
| Light Source | LED with DC Driver |
| Wattage | 38W |
| Total Lumens | 3200lm |
| Delivered Lumens | BK-1328lm; WH-1530lm; |
| Voltage | 120V |
| Color Temperature | 3000K |
| CRI (Ra) | 90CRI |
| Optional Color Temps | 2700K - 5000K Available, Minimum Order Quantities Apply |
| LED Rated Life | 50,000 hours |
| Dimming | 100% - 10%, TRIAC or ELV Dimmer (Not Included) |
| Diffuser Details | White PC Diffuser |
| Location | Wet |
| Canopy Dimensions | D4-3/4" x H1/2" |
| Paint Finish | BK02; WH02; |

* For custom options, consult factory for details.

* For warranty information, please visit www.kuzcolighting.com/warranty

DESCRIPTION

Cast aluminum conical housing with ceiling mount. Lightly powder-coated finish. Opal round glass diffuser. Down light. Custom options available.



KUZCO

CANADA: 19054 28TH AVENUE - SURREY, BC V3Z 6M3

USA: 3035 E. LONE MOUNTAIN ROAD - LAS VEGAS, NV 89081

WWW.KUZCOLIGHTING.COM

© 2019 KUZCO LIGHTING. ALL RIGHTS RESERVED.

COMMENT

