

# CHICAGO LOOP CH95942

## CHANDELIERS

PROJECT



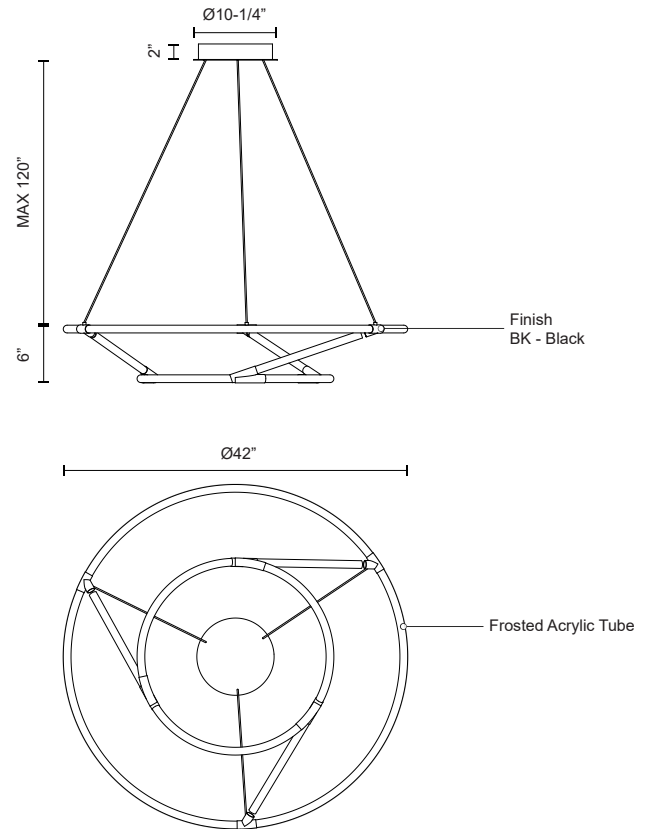
### DESCRIPTION

A dramatic centre piece that draws the eye, the Chicago Loop is a tiered pendant featuring two circular forms created by hollow acrylic lenses and joining axis, casting an even 360 Degrees illumination. Available in a frosted lens and black finish.

### SPECIFICATION DETAILS

\* For custom options, consult factory for details.

<b>Fixture Dimensions</b>	D42" x H6"
<b>Light Source</b>	LED with DC Driver
<b>Wattage</b>	85W
<b>Total Lumens</b>	6800lm
<b>Delivered Lumens</b>	BK-3900lm*
<b>Voltage</b>	120V
<b>Color Temperature</b>	3000K
<b>CRI (Ra)</b>	90CRI
<b>Optional Color Temps</b>	2700K - 5000K Available, Minimum Order Quantities Apply
<b>LED Rated Life</b>	50,000 hours
<b>Dimming</b>	100% - 10%, TRIAC or ELV Dimmer (Not Included)
<b>Diffuser Details</b>	Frosted acrylic diffuser
<b>Adjustable</b>	Yes
<b>Wire Length</b>	120" Max
<b>Wire Type</b>	Black SSL Cable
<b>Location</b>	Dry
<b>Warranty</b>	5 Years
<b>Canopy Dimensions</b>	D10-1/4" x H2"
<b>Finish Option(s)</b>	Black



# KUZCO

19054 28TH AVENUE  
SURREY - BC V3Z 6M3  
CANADA

WWW.KUZCOLIGHTING.COM

COMMENT