

# CHICAGO LOOP CH95930

## CHANDELIERS

PROJECT



### DESCRIPTION

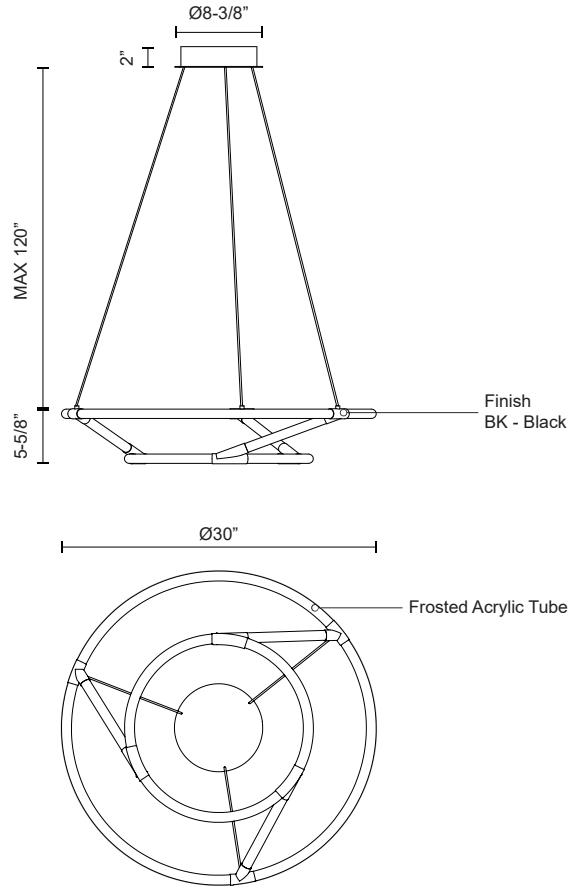
A dramatic centre piece that draws the eye, the Chicago Loop is a tiered pendant featuring two circular forms created by hollow acrylic lenses and joining axis, casting an even 360 Degrees illumination. Available in a frosted lens and black finish.

### SPECIFICATION DETAILS

<b>Fixture Dimensions</b>	D30" x H5-5/8"
<b>Light Source</b>	LED with DC Driver
<b>Wattage</b>	53W
<b>Total Lumens</b>	4250lm
<b>Delivered Lumens</b>	BK-2750lm*
<b>Voltage</b>	120V
<b>Color Temperature</b>	3000K
<b>CRI (Ra)</b>	90CRI
<b>Optional Color Temps</b>	2700K - 5000K Available, Minimum Order Quantities Apply
<b>LED Rated Life</b>	50,000 hours
<b>Dimming</b>	100% - 10%, TRIAC or ELV Dimmer (Not Included)
<b>Diffuser Details</b>	Frosted acrylic diffuser
<b>Adjustable</b>	Yes
<b>Wire Length</b>	120" Max
<b>Wire Type</b>	Black SSL Cable
<b>Sloped Ceiling Adaptable</b>	Yes
<b>Location</b>	Dry
<b>Canopy Dimensions</b>	D8-3/8" x H2"
<b>Paint Finish</b>	BK01
<b>Finish Option(s)</b>	Black

\* For custom options, consult factory for details.

\* For warranty information, please visit [www.kuzcolighting.com/warranty](http://www.kuzcolighting.com/warranty)



# KUZCO

CANADA: 19054 28TH AVENUE - SURREY, BC V3Z 6M3

USA: 3035 E. LONE MOUNTAIN ROAD - LAS VEGAS, NV 89081

[WWW.KUZCOLIGHTING.COM](http://WWW.KUZCOLIGHTING.COM)

© 2020 KUZCO LIGHTING. ALL RIGHTS RESERVED.

### COMMENT