

**SOLARIS
CH78259
CHANDELIERS**

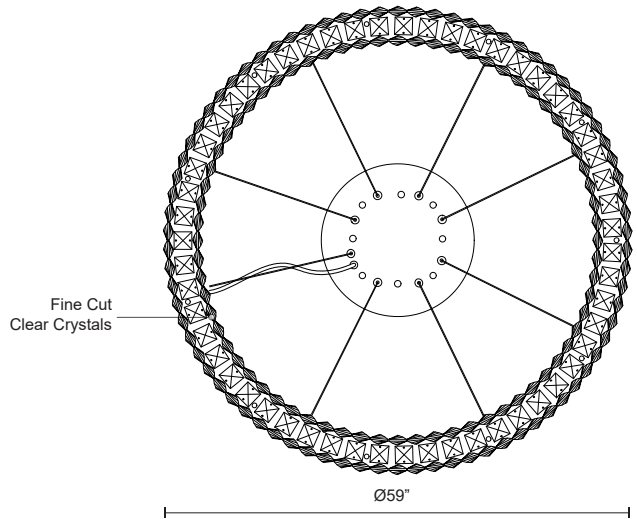
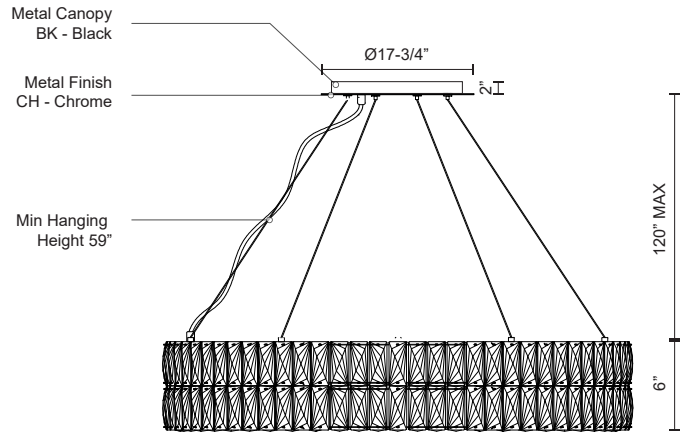
PROJECT



CH78259 (3000K)
3000K

DESCRIPTION

Aircraft cable suspended chandelier with a double circular ring of diamond cut clear crystal glass and circular Chrome canopy. The inner chrome chassis combines with the double-layer crystal ring and concealed LED arrays to form a crisp, elegant appearance bridging classic old-world and modern minimal design elements. 59 inches in diameter – the largest in a series of four sizes.



SPECIFICATION DETAILS

* For custom options, consult factory for details.

Fixture Dimensions	D59" x H6"
Light Source	LED
Wattage	180W
Total Lumens	14400lm
Delivered Lumens	CH-8200lm*
Voltage	120V
Color Temperature	3000K
CRI (Ra)	>90
Optional Color Temps	2700K - 5000K Available, Minimum Order Quantities Apply
LED Rated Life	50,000 hours
Dimming	100% - 10%, ELV Dimmer (Not Included)
Crystal Details	Diamond Cut Clear Crystals
Adjustable	Yes
Wire Length	120" Max
Wire Type	Clear SVT Cord, Aircraft Cable
Location	Dry
Warranty	5 Years
Canopy Dimensions	D17-3/4" x H2"

KUZCO

19054 28TH AVENUE
SURREY - BC V3Z 6M3
CANADA

WWW.KUZCOLIGHTING.COM

COMMENT

