



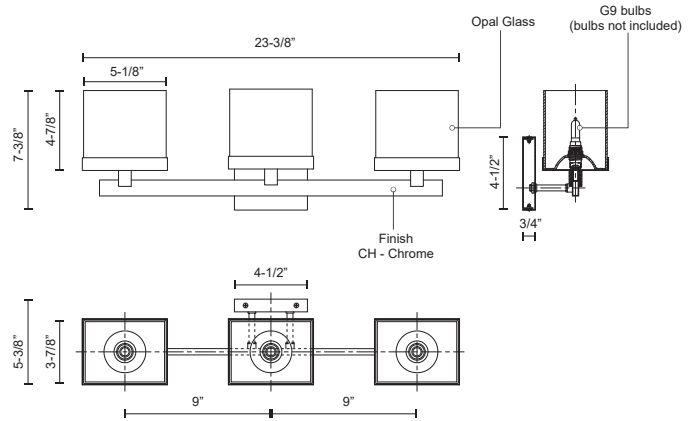
**DESCRIPTION**

Three lamp vanity with beautiful white opal square glass. Metal details in chrome finishing.

**SPECIFICATION DETAILS**

<b>Fixture Dimensions</b>	W23-3/8" x H7-3/8" x E5-3/8"
<b>Lamp Type</b>	Halogen, G9
<b>Wattage</b>	3 x 50W
<b>Voltage</b>	120V
<b>Glass Details</b>	Opal Glass
<b>Location</b>	Damp
<b>Bulbs Included</b>	No
<b>Canopy Dimensions</b>	W4-1/2" x H4-1/2" x E3/4"
<b>Finish Option(s)</b>	Chrome

\* For custom options, consult factory for details.  
 \* For warranty information, please visit [www.kuzcolighting.com/warranty](http://www.kuzcolighting.com/warranty)



**KUZCO**

19054 28TH AVENUE  
 SURREY - BC V3Z 6M3  
 CANADA

WWW.KUZCOLIGHTING.COM  
 © 2010 KUZCO LIGHTING. ALL RIGHTS RESERVED.

**COMMENT**

