

NORFOLK 601432-LED

WALL

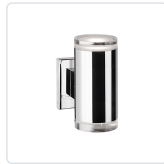
PROJECT



601432BK-LED
Black



601432BN-LED
Brushed Nickel



601432CH-LED
Chrome

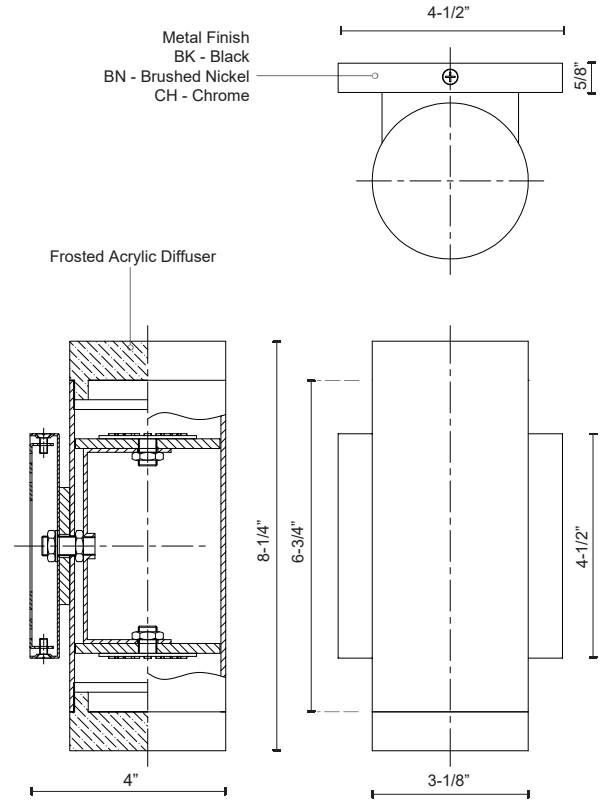
SPECIFICATION DETAILS

* For custom options, consult factory for details.

Fixture Dimensions	W3-1/8" x H8-1/4" x E4"
Light Source	AC LED Module
Wattage	19W
Total Lumens	1200lm
Delivered Lumens	BK-705lm; BN-767lm; CH-868lm;
Voltage	120V
Color Temperature	3000K
CRI (Ra)	90CRI
Optional Color Temps	2700K - 5000K Available, Minimum Order Quantities Apply
LED Rated Life	50,000 hours
Dimming	100% - 10%, ELV Dimmer (Not Included)
Diffuser Details	Frosted acrylic diffuser
Location	Dry
Warranty	5 Years
Illumination Direction	Up and Down
Mounting Style	All Orientation; Wall;
Canopy Dimensions	W4-1/2" x H4-1/2" x E5/8"

DESCRIPTION

LED cylinder shaped updown wall sconce with clear acrylic discs. Metal details in black, brushed nickel or chrome finish, and is equipped with our powerful 120V AC LED technology,



KUZCO

19054 28TH AVENUE
SURREY - BC V3Z 6M3
CANADA

WWW.KUZCOLIGHTING.COM

COMMENT

