

MALTA
51561
 FLUSH MOUNT

PROJECT



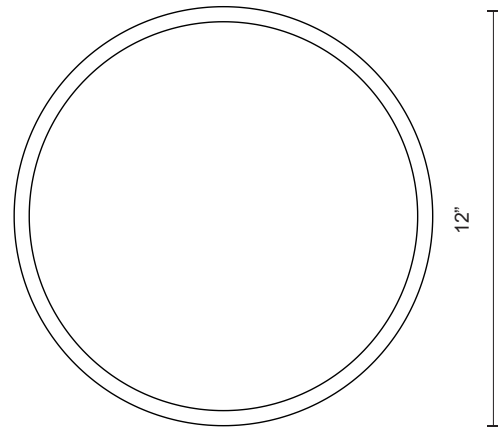
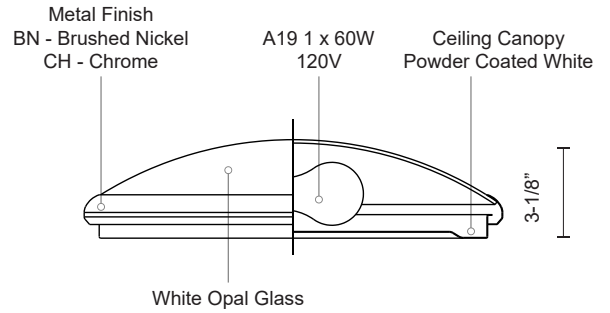
51561BN
 Brushed Nickel



51561CH
 Chrome

DESCRIPTION

Single lamp flush mount ceiling fixture with white opal glass and your choice of brushed nickel or chrome metal finish.



SPECIFICATION DETAILS

Fixture Dimensions	D12" x H3-1/8"
Lamp Type	Incandescent, A19, Medium Base
Wattage	1 x 60W
Voltage	120V
Glass Details	Opal Glass
Location	Dry
Bulbs Included	No
Paint Finish	BN01; CH01;

* For custom options, consult factory for details.

* For warranty information, please visit www.kuzcolighting.com/warranty

KUZCO

CANADA: 19054 28TH AVENUE - SURREY, BC V3Z 6M3
 USA: 3035 E. LONE MOUNTAIN ROAD - LAS VEGAS, NV 89081

WWW.KUZCOLIGHTING.COM

© 2010 KUZCO LIGHTING. ALL RIGHTS RESERVED.

COMMENT

