

FLOYD
501102-LED
 FLUSH MOUNT

PROJECT



501102-LED
 Brushed Nickel



501102BG-LED
 Brushed Gold

SPECIFICATION DETAILS

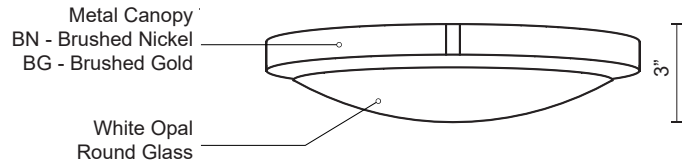
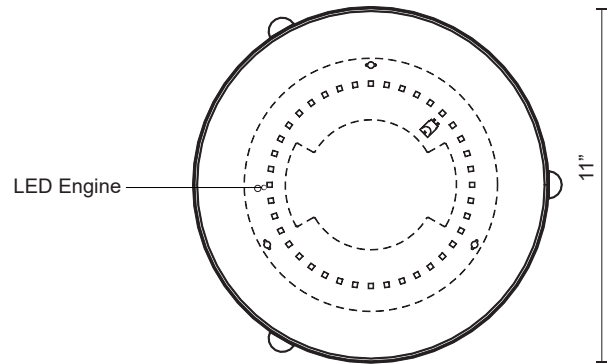
Fixture Dimensions	D11" x H3"
Light Source	AC LED Module
Wattage	17W
Total Lumens	1300lm
Delivered Lumens	BG-860lm; BN-912lm;
Voltage	120V
Color Temperature	3000K
CRI (Ra)	90CRI
Optional Color Temps	2700K - 5000K Available, Minimum Order Quantities Apply
LED Rated Life	50,000 hours
Dimming	100% - 10%, ELV Dimmer (Not Included)
Glass Details	Opal Glass
Location	Dry
Mounting Style	All Orientation; Ceiling and Wall;
CEC Title 24 JA8	Yes, JA8-2022
Energy Star Certified	Energy Star Compliant

* For custom options, consult factory for details.

* For warranty information, please visit www.kuzcolighting.com/warranty

DESCRIPTION

Single LED flush mount ceiling fixture with round white opal glass. Metal details in brushed nickel & brushed gold finish, and is equipped with our powerful 120V AC LED technology



KUZCO

19054 28TH AVENUE
 SURREY - BC V3Z 6M3
 CANADA

WWW.KUZCOLIGHTING.COM

COMMENT

