

**DECO**  
**461412**  
PENDANTS

PROJECT



**DESCRIPTION**

Single-lamp pendant with revolved glass shade rests atop a visible metal inner structure. Configured as black or brushed nickel details with clear glass. Suspended with matching tubing. Available in two sizes.



461412-CL/BN  
Brushed Nickel

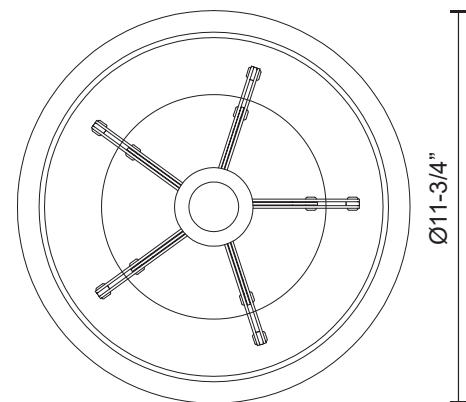
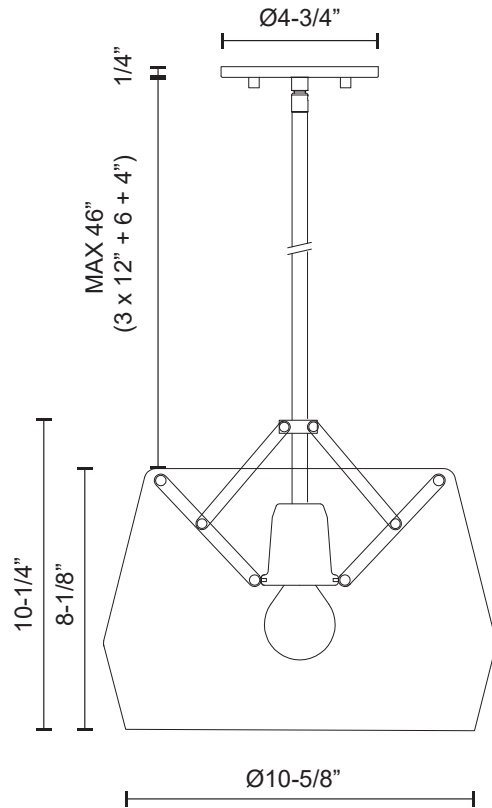


461412-CL/BK  
Black

**SPECIFICATION DETAILS**

\* For custom options, consult factory for details.

<b>Fixture Dimensions</b>	D11-3/4" x H10-1/4"
<b>Lamp Type</b>	Incandescent, A19, Medium Base
<b>Bulbs Included</b>	No
<b>Wattage</b>	1 x 60W
<b>Voltage</b>	120V
<b>Shade Details</b>	Clear Glass Shade
<b>Adjustable</b>	Yes
<b>Rod Length</b>	46" Max (3x12" + 1x6" + 1x4")
<b>Location</b>	Dry
<b>Warranty</b>	5 Years
<b>Canopy Dimensions</b>	D4-3/4" x H1/4"



**KUZCO**

19054 28TH AVENUE  
SURREY - BC V3Z 6M3  
CANADA

WWW.KUZCOLIGHTING.COM

COMMENT

