

CAMEO 401431-LED

PENDANTS

PROJECT



401431BK-LED
Black



401431CH-LED
Chrome



401431BN-LED
Brushed Nickel



401431WH-LED
White

SPECIFICATION DETAILS

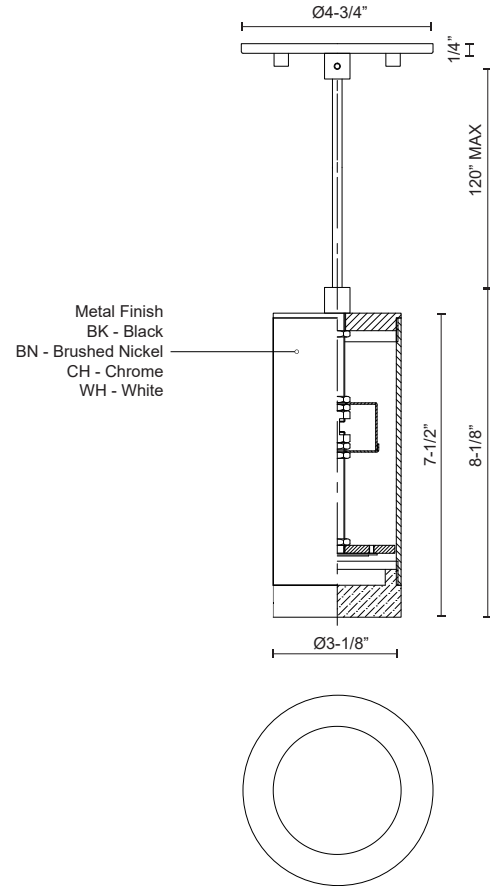
Fixture Dimensions	D3-1/8" x H7-1/2"
Light Source	AC LED Module
Wattage	9W
Total Lumens	600lm
Delivered Lumens	CH-388lm
Voltage	120V
Color Temperature	3000K
CRI (Ra)	90CRI
Optional Color Temps	2700K - 5000K Available, Minimum Order Quantities Apply
LED Rated Life	50,000 hours
Dimming	100% - 10%, ELV Dimmer (Not Included)
Diffuser Details	Frosted acrylic diffuser
Adjustable	Yes
Wire Length	120" Max
Wire Type	Clear SVT Cord
Sloped Ceiling Adaptable	Yes
Location	Dry
CEC Title 24 JA8	Yes, JA8-2022
Canopy Dimensions	D4-3/4" x H1/4"

* For custom options, consult factory for details.

* For warranty information, please visit www.kuzcolighting.com/warranty

DESCRIPTION

Single LED cylinder shaped pendant with clear crystal disc. Equipped with our powerful 120V AC LED technology, with metal details in white, black, brushed nickel or chrome finish. Round canopy matches the selected finish.



KUZCO

19054 28TH AVENUE
SURREY - BC V3Z 6M3
CANADA

WWW.KUZCOLIGHTING.COM

COMMENT

