

Cylinder Shaped LED Wall Sconce

WS7812
INSTALLATION SHEET

START FROM HERE

- Make sure **POWER** is **COMPLETELY OFF** at the fuse box
- Have your fixture installed by a qualified licensed electrician
- Prepare everything in a clear area
- Wear gloves at all time during this installation
- Read instructions carefully before you start assembly
- Keep this installation sheet for future reference

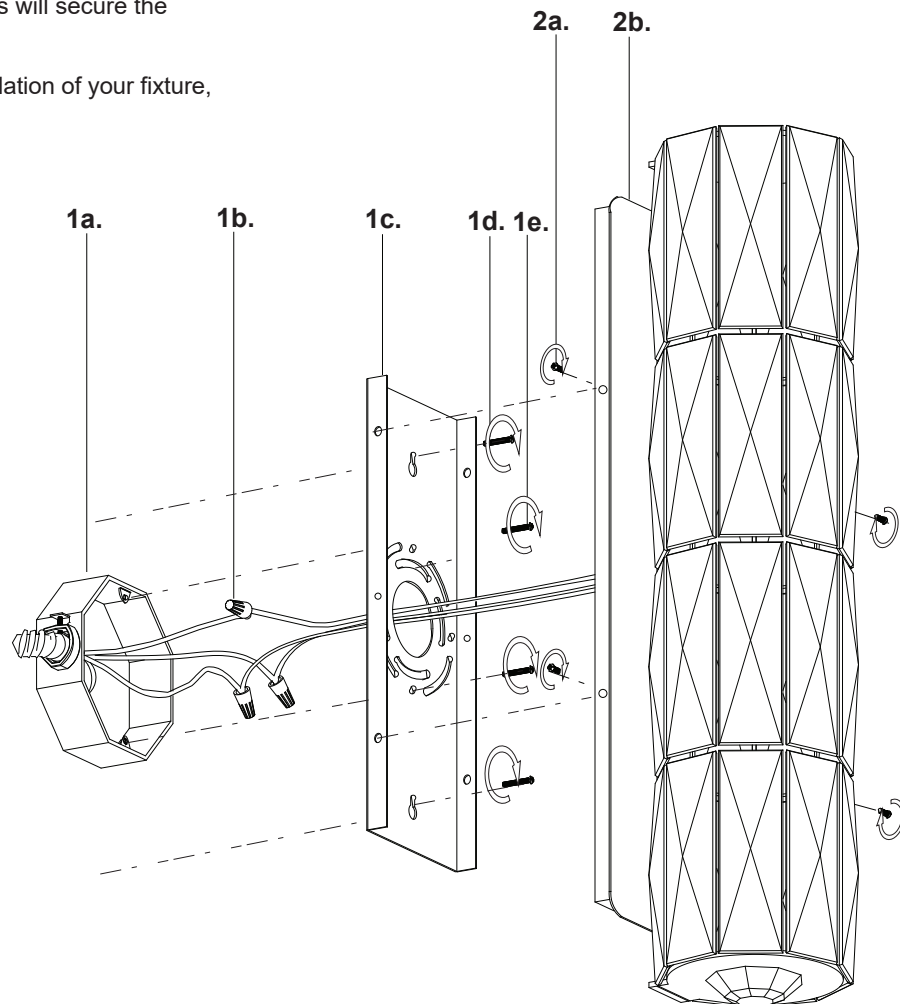
Please Note:

- All Kuzco LED fixtures come with pre-wired LED module(s).
- Unless instructed to do so, please do not touch any part of the LED module(s) as any unnecessary contact with the module could cause permanent damage.
- For dimming, an ELV (Electronic Low Voltage) type of dimmer is required.

CAUTION: HEAVY FIXTURE, THE JUNCTION BOX NEEDS TO BE REINFORCED BEFORE INSTALLATION.

Technical Support: 1-855-855-8926

- 1.** Remove the fixture from its original packaging. Next, remove the canopy mounting plate (**1c**) from within the canopy (**2b**) by removing the four screws (**2a**).
- 2.** Secure the mounting plate (**1c**) to the wall with screws (**1d**), make sure to reinforce the wood behind the drywall. Now install the two screws (**1e**) provided to secure the mounting plate (**1c**) to the junction box (**1a**).
- 3.** You are now ready to mount the canopy to the mounting plate. First connect all wires (**1b**) correctly black to black "L", white to white "N" and the ground wire with provided marrets from the hardware package. Push the canopy (**2b**) towards the mounting plate (**1c**) so the holes in both the canopy and mounting plate align. Next, screw on the four screws (**2a**) both sides, this will secure the canopy to the mounting plate.
- 4.** You have now completed the installation of your fixture, enjoy.



KUZCO

19054 28th Avenue Surrey, BC Canada V3Z 6M3
T: 604 538 7162 TF: 1-855 85 KUZCO F: 604 538 7196
W: kuzcolighting.com
20181127