

# LED Lamp Wall Sconce

# WS53322

INSTALLATION SHEET

## START FROM HERE

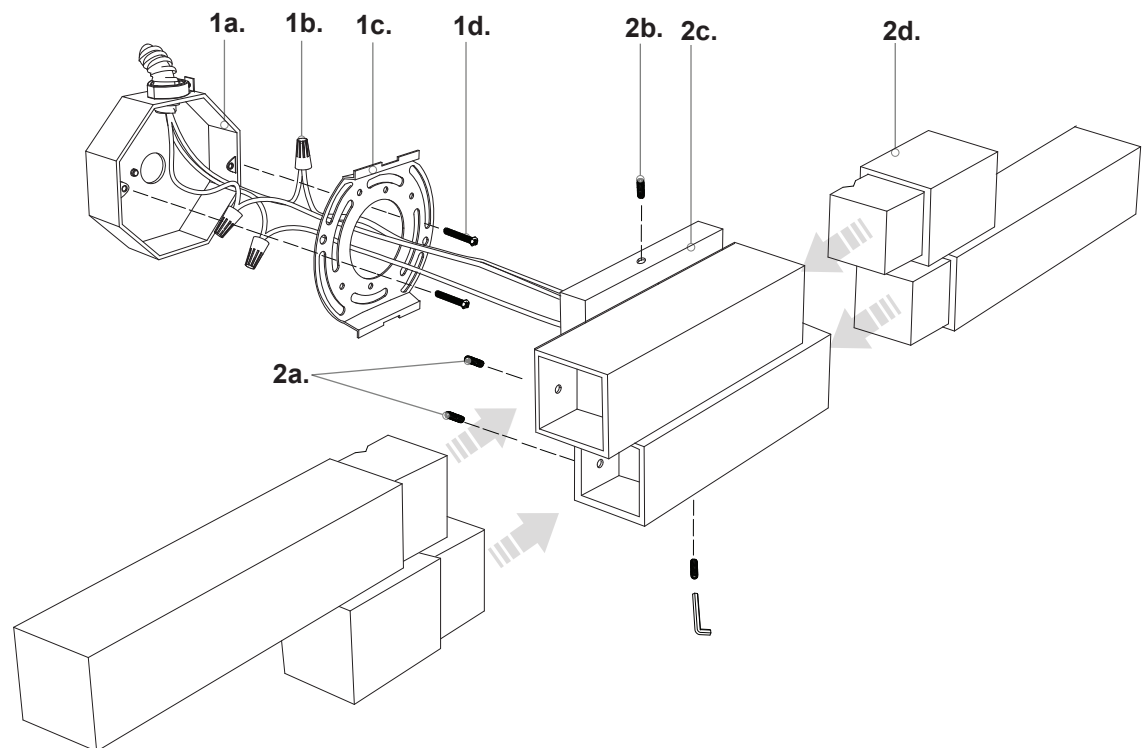
- Make sure power is completely off at the fuse box.
- Have your fixture installed by a qualified licensed electrician
- Prepare everything in a clear area.
- Wear gloves at all times during this installation.
- Read instructions carefully before you start assembly.
- Keep this instruction sheet for future reference.

## Please Note:

- All Kuzco LED fixtures come with pre-wired LED module(s).
- Unless instructed to do so, please do not touch any part of the LED module(s) as any unnecessary contact with the module could cause permanent damage.
- For dimming, an ELV (Electronic Low Voltage) type of dimmer is required.

Technical Support: 1-877-452-6858

- 1.** Remove the fixture from its original packaging. Remove the mounting plate **(1c)** from within the canopy **(2c)** by unscrewing the two set screws **(2b)**. Attach the mounting plate to the electrical junction box **(1a)**, using the two screws **(1d)** provided in the hardware package.
- 2.** Before you mount the canopy, install the four acrylic glass **(2d)** accordingly by using the four set screws **(2a)** provided.
- 3.** You can now attach the canopy to the mounting plate. First attach all wiring with the provided marrets **(1b)** (white to white "N", black to black "L", ground to ground "G"). Now push the canopy **(2c)** towards the mounting plate **(1c)** and use the two set screws (top and bottom) **(2b)** to secure the canopy to the mounting plate.
- 4.** You have now completed the installation of your fixture, please enjoy.



# KUZCO LIGHTING

19054 28th Avenue Surrey, BC Canada V3S 6M3  
T: 604 538 7162 TF: 1-855 85 KUZCO F: 604 538 7196  
W: kuzcolighting.com  
20161220