

# LED Wall Sconce

# WS51202

INSTALLATION SHEET

## START FROM HERE

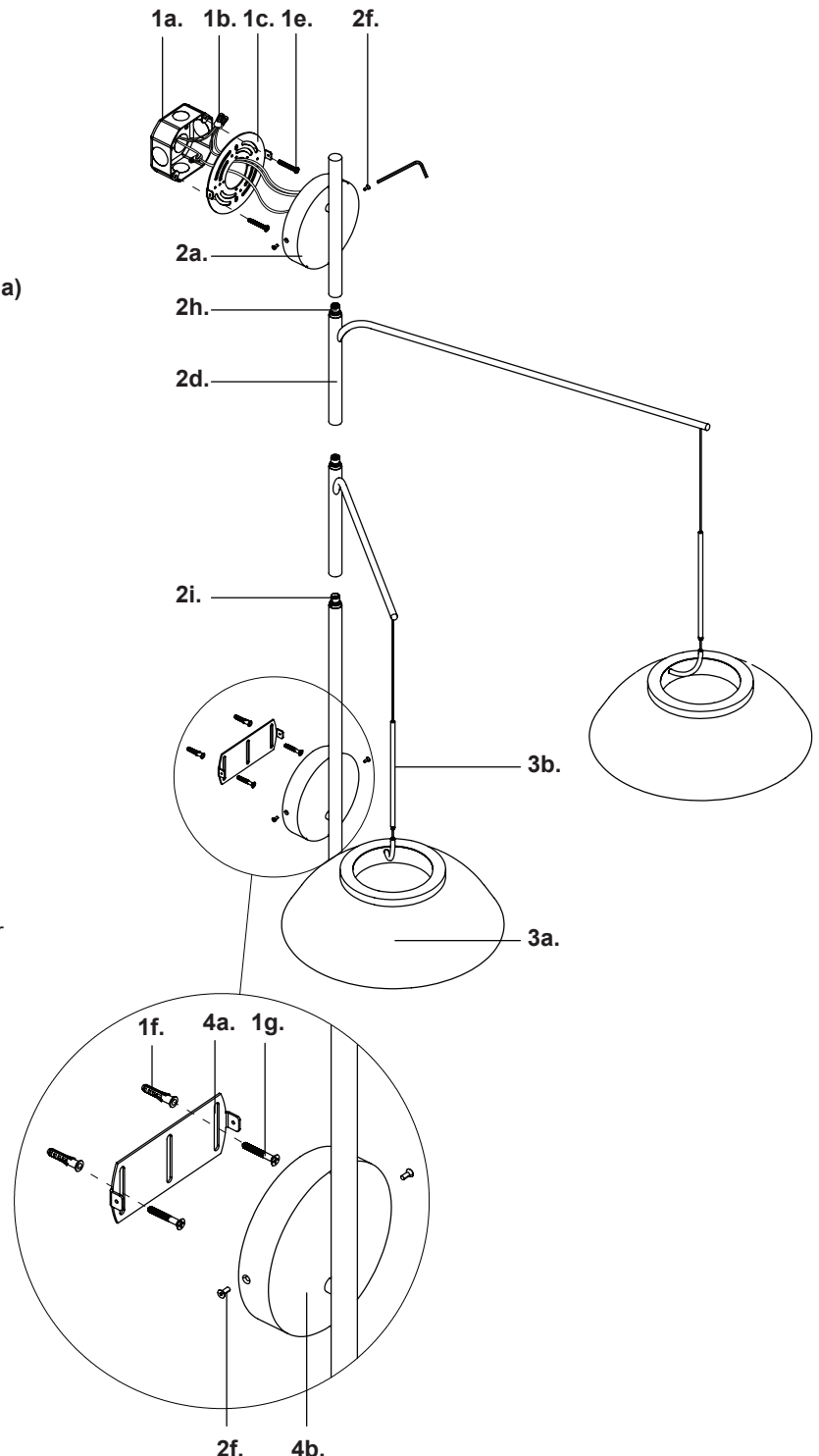
- Make sure **POWER** is **COMPLETELY OFF** at the fuse box
- Have your fixture installed by a qualified licensed electrician
- Prepare everything in a clear area
- Wear gloves at all time during this installation
- Read instructions carefully before you start assembly
- Keep this installation sheet for future reference

Technical Support: 1-855-855-8926

### Please Note:

- This Kuzco LED fixture comes with pre-wired LED module(s)
- Unless instructed, Do Not touch any part of the LED module(s) as any unnecessary contact with the module could cause permanent damage
- Use ELV (Electronic Low Voltage) or TRIAC type of dimmer for dimming application
- 120V input

1. Remove fixture from its original package
2. Separate mounting plate (1c) from canopy (2a), and non-power mounting plate (4a) from non-power canopy (4b) by removing canopy screws (2f) with allen key provided
3. Attach mounting plate (1c) to electrical junction box (1a) using screws provided (1e) in hardware package
4. Assemble fixture by inserting coaxial connector (2h) into mounting rods (2d) between canopy and shade (3a), finish with non-power connector (2i) at bottom
5. Make proper electrical connections (black to hot "L", white to neutral "N", ground to "GND") with wire nuts (1b) provided in hardware package
6. Measure, mark location of non-power mounting plate (4a) location, mount to wall with wood screws (1g), use anchor bolts (1f) if necessary
7. Position canopy (2a) and non-power canopy (4b) over respective mounting plate, fine tune location of non-power mounting plate (4a), and then tighten woodscrew (1g)
8. Secure canopy (2a) to mounting plate (1c), non-power canopy (4b) to non-power mounting plate (4a) with canopy screws (2f) with Allan Key provided
9. Connect hang-straight (3b) to shade (3a)



# KUZCO

19054 28th Avenue Surrey, BC Canada V3Z 6M3  
T: 604 538 7162 TF: 1-855 85 KUZCO F: 604 538 7196  
W: kuzcolighting.com  
20210129