

# LED Wall Sconce

**WS16912**  
INSTALLATION SHEET

## START FROM HERE

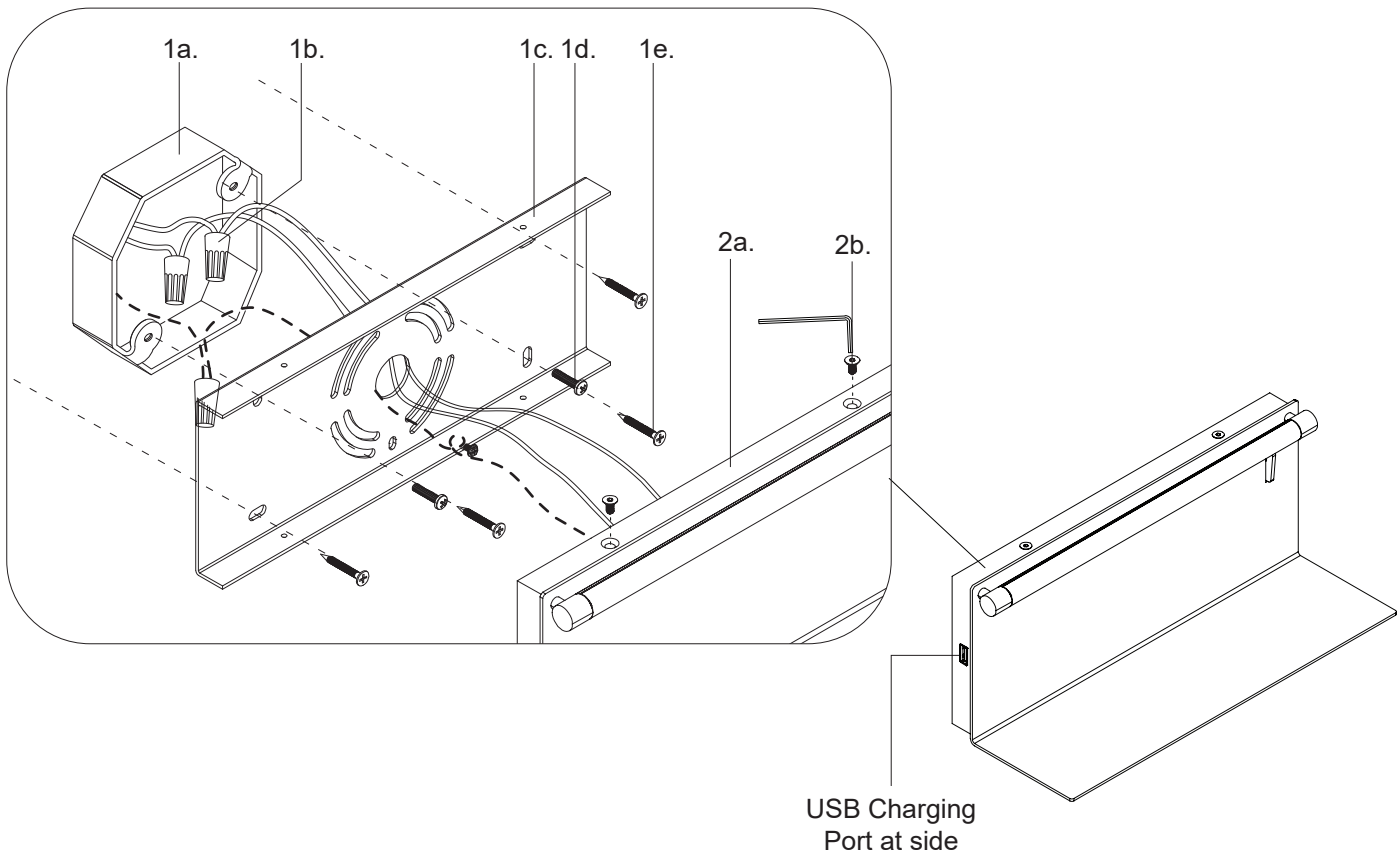
- Make sure **POWER** is **COMPLETELY OFF** at the fuse box
- Have your fixture installed by a qualified licensed electrician
- Prepare everything in a clear area
- Wear gloves at all time during this installation
- Read instructions carefully before you start assembly
- Keep this installation sheet for future reference

**Technical Support:** 1-855-855-8926

### Please Note:

- This Kuzco LED fixture comes with pre-wired LED module(s)
- Unless instructed, Do Not touch any part of the LED module(s) as any unnecessary contact with the module could cause permanent damage
- Non-Dimming

- 1.** Remove the fixture from its original packaging
- 2.** Separate the mounting plate (1c) from the fixture (2a) by removing the fixture screws (2b) with allen key
- 3.** Attach the mounting plate (1c) to the electrical junction box (1a) using the junction box screws (1d) provided in the hardware package
- 4.** Secure mounting plate (1c) to mounting surface with screws (1e)
- 5.** Make proper electrical connections (**black** to **hot "L"**, **white** to **neutral "N"**, **ground** to **"GND"**) with wire nuts (1b) provided in hardware package
- 6.** Attach the fixture (2a) to the mounting plate (1c) with the fixture screws (2b) and allen key



**KUZCO**

19054 28th Avenue Surrey, BC Canada V3S 6M3  
T: 604 538 7162 TF: 1-855 85 KUZCO F: 604 538 7196  
W: kuzcolighting.com  
20210401