

### Three Fixed Track Fixture

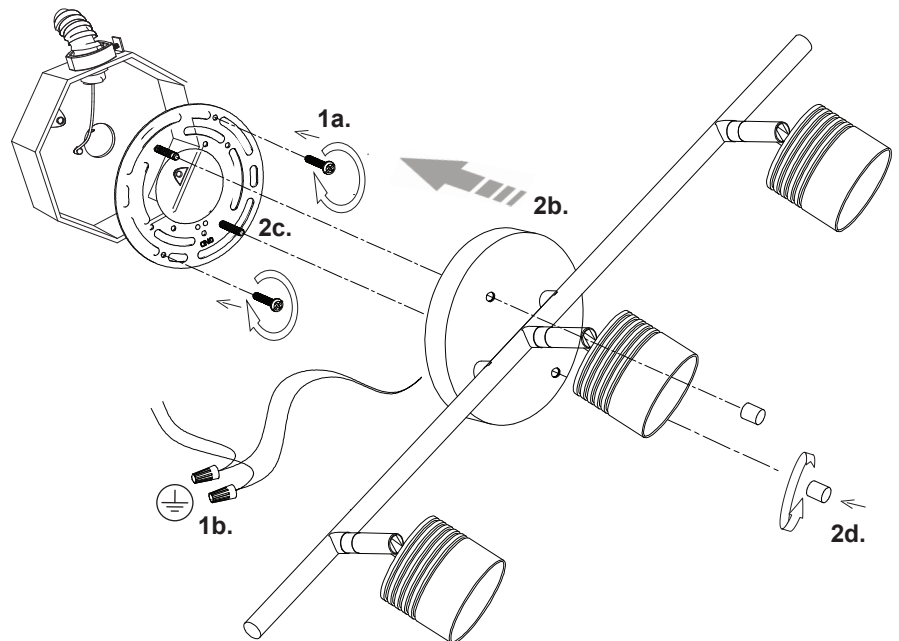
Please Note:

- All Kuzco LED fixtures come with pre-wired LED module(s).
- Unless instructed to do so, please do not touch any part of the LED module(s) as any unnecessary contact with the module could cause permanent damage.
- For dimming, an ELV (Electronic Low Voltage) dimmer is required.

#### START FROM HERE

- Make sure power is completely off at the fuse box.
  - Have your fixture installed by a qualified licensed electrician
  - Prepare everything in clear area.
  - Wear gloves at all times during this installation.
  - Read instructions carefully before you start assembly.
  - Keep this instruction sheet for future reference.
- Technical Support:** 1-855-855-8926

- 1.** Remove the fixture from its original packaging and remove the canopy mounting plate from within the hardware package. Using the two mechanical screws, **(1a)** secure the mounting plate to the junction box. Now attach all wiring **(1b)** with the provided marrets (white to white "N", black to black "L", ground to ground "G").
- 2.** Attach the canopy **(2b)** onto the mounting plate **(1a)**, and align the bolt studs on the canopy **(2c)** to the two holes on the mounting plate. Once aligned, screw in the two decorative nuts **(2d)** provided to secure the fixture to the wall. Careful not over tighten.
- 3.** You have now completed the installation of your fixture, please enjoy.



**KUZCO**  
LIGHTING

19054 28th Avenue Surrey, BC Canada V3Z 6M3  
T: 604 538 7162 TF: 1-855 85 KUZCO F: 604 538 7196  
W: kuzcolighting.com  
20151204