

LED Table Lamp

TL68211
INSTALLATION SHEET

START FROM HERE

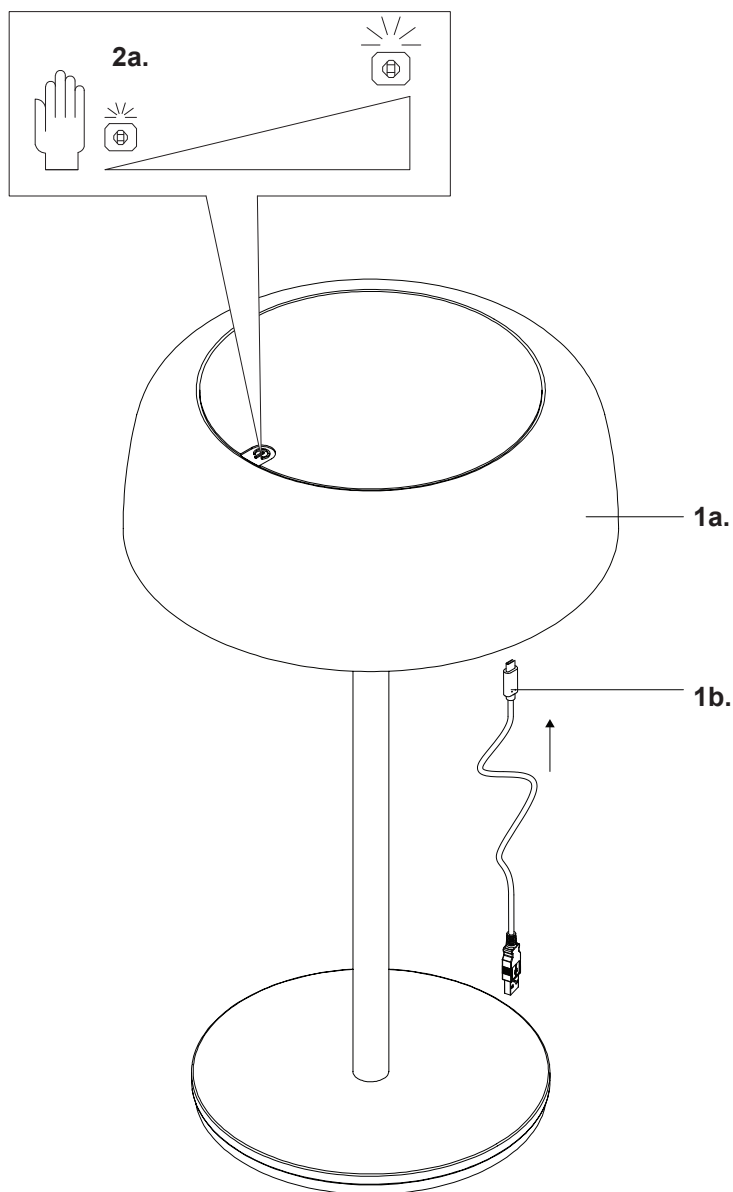
- Prepare everything in a clear area.
- Wear gloves at all times during this installation.
- Read instructions carefully before you start assembly.
- Keep this instruction sheet for future reference.

Technical Support: 1-855-855-8926

Please Note:

- This Kuzco LED fixture comes with pre-wired LED module(s)
- Unless instructed, Do Not touch any part of the LED module(s) as any unnecessary contact with the module could cause permanent damage
- Touch Dimmer
- Please refer to the local regulation regarding proper disposal of batteries

1. Remove the fixture from it's original packaging
2. Use hand to activate dimmer. Touch and hold to dim, touch to turn on/off (2a)
3. Remove USB cover
4. For charging: Insert Type-C charger (1b) to fixture (1a)
 - **Charge Time:** 4 hours (Full Charge)
 - **Work Time:** 5 Hours (Max Output)
5. Close USB cover



KUZCO

19054 28th Avenue Surrey, BC Canada V3Z 6M3
T: 604 538 7162 TF: 1-855 85 KUZCO F: 604 538 7196
W: kuzcolighting.com
20240618