

LED Pendant

PD31408
INSTALLATION SHEET

START FROM HERE

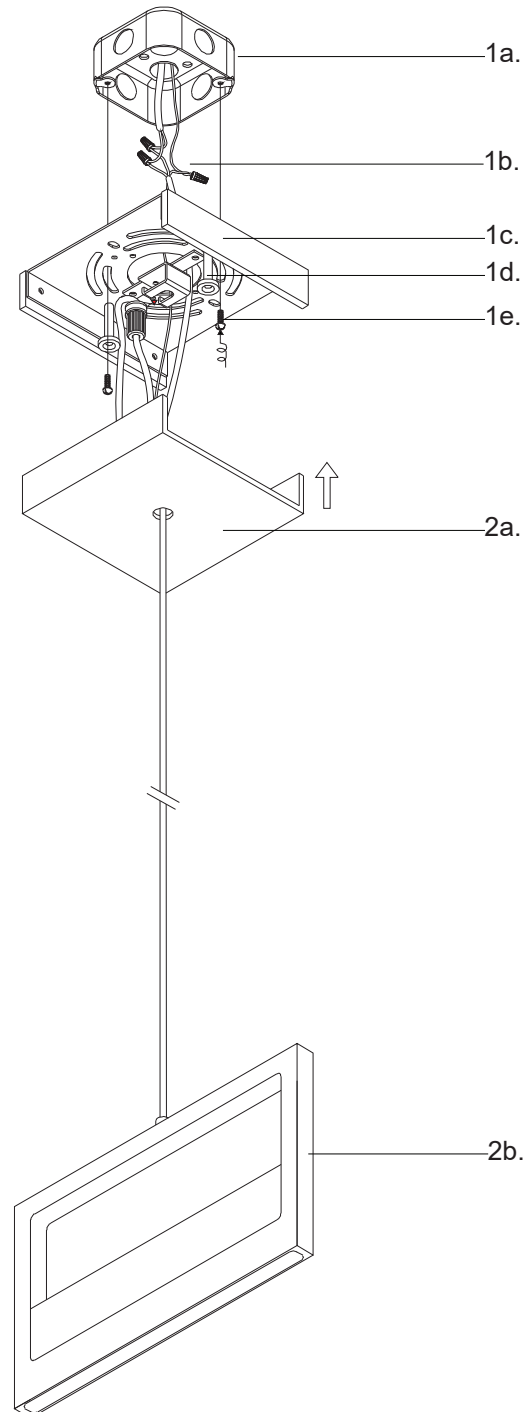
- Make sure power is completely off at the fuse box.
- Have your fixture installed by a qualified licensed electrician
- Prepare everything in a clear area.
- Wear gloves at all times during this installation.
- Read instructions carefully before you start assembly.
- Keep this instruction sheet for future reference.

Technical Support: 1-855-855-8926

Please Note:

- For dimming, a TRIAC type of dimmer is required.

- 1.** Remove the mounting plate (1c) from the canopy (2a). Attach the mounting plate (1c) to the junction box (1a) using two screws (1e).
- 2.** Select the desired length you wish the pendant (2b) to hang by pushing or pulling the wire and secure the wire. Connect all wires (**1b**) correctly black to black "L", white to white "N" and the ground wire with provided marrettes from the hardware package. Now attach the canopy (2a) to the mounting plate (1c) with the help of magnets (1d).
- 3.** You have now completed the installation of your fixture, enjoy.



KUZCO

19054 28th Avenue Surrey, BC Canada V3Z 6M3
T: 604 538 7162 TF: 1-855 85 KUZCO F: 604 538 7196
W: kuzcolighting.com
20181121