

Ceiling LED Pendant

PD2618
INSTALLATION SHEET

START FROM HERE

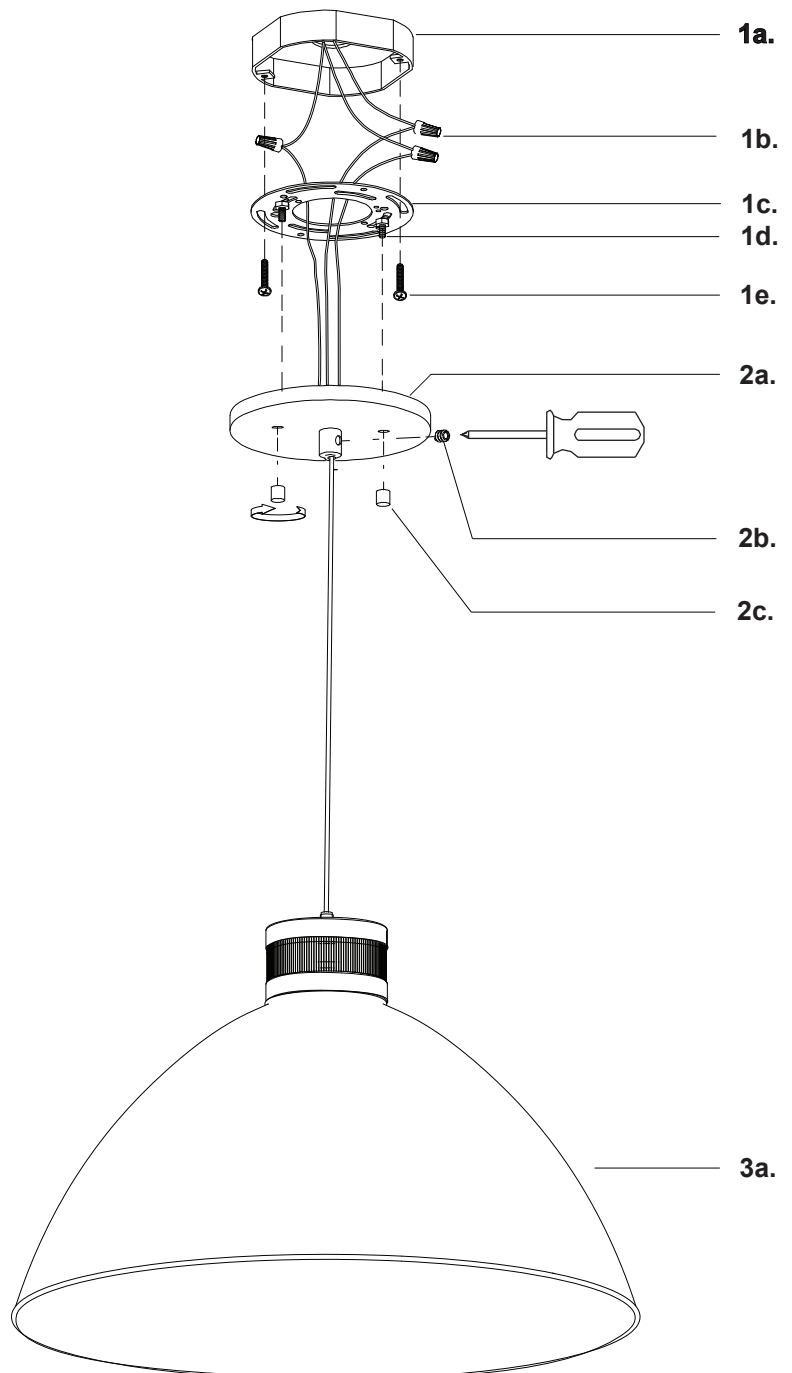
- Make sure **POWER** is **COMPLETELY OFF** at the fuse box
- Have your fixture installed by a qualified licensed electrician
- Prepare everything in a clear area
- Wear gloves at all time during this installation
- Read instructions carefully before you start assembly
- Keep this installation sheet for future reference

Technical Support: 1-855-855-8926

Please Note:

- All Kuzco LED fixtures come with pre-wired LED module(s).
- Unless instructed to do so, please do not touch any part of the LED module(s) as any unnecessary contact with the module could cause permanent damage.
- For dimming, an ELV (Electronic Low Voltage) type of dimmer is required.

- 1.** Remove the fixture from its original packaging. Next, remove the mounting plate **(1c)** from within the canopy **(2a)** by un-threading the two nuts **(2c)**. Secure the mounting plate **(1c)** to the junction box **(1a)** with screws **(1e)** provided in the hardware package.
- 2.** Before you mount the canopy to the mounting plate select the desired length you wish the pendant **(3a)** to hang. To shorten or lengthen the pendant, loosen the screw **(2b)** until the wire can move freely. You can now push/pull the wire to lengthen or shorten the pendant **(3a)**. When you have selected the desired length, tighten the screw **(2b)**.
- 3.** You are now ready to mount the canopy. First, connect all wires correctly black to black "L", white to white "N" and the ground wire with provided marettes **(1b)** from the hardware package. Align the threaded studs **(1d)** with the holes on the surface of the canopy **(2a)**. Next, push the canopy **(2a)** to the mounting plate **(1c)** thread on the two nuts **(2c)** on to the threaded studs **(1d)**. This will secure the canopy to the mounting plate.
- 4.** You have now completed the installation of your fixture, enjoy.



KUZCO

19054 28th Avenue Surrey, BC Canada V3Z 6M3
T: 604 538 7162 TF: 1-855 85 KUZCO F: 604 538 7196
W: kuzcolighting.com
20181127