

LED Flush Mount

FM80718
INSTALLATION SHEET

START FROM HERE

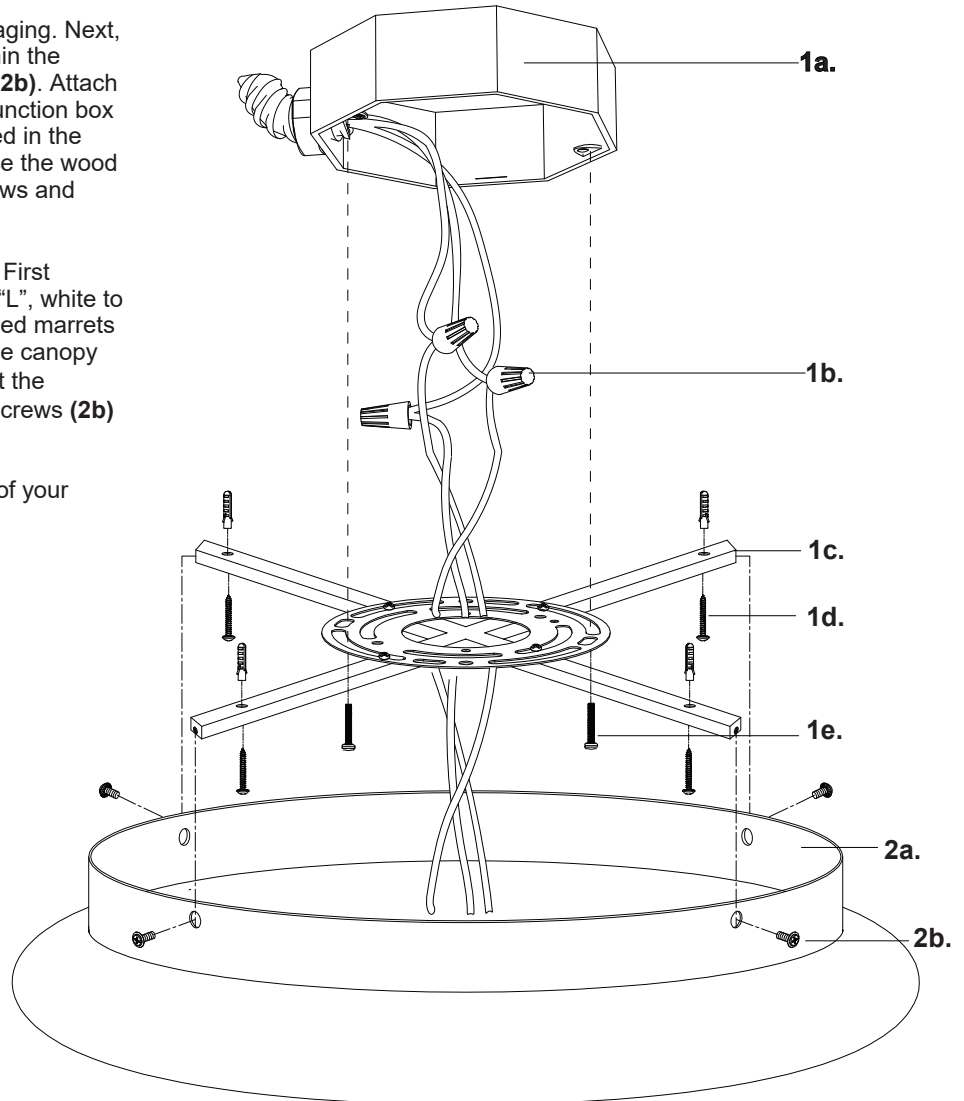
- Make sure **POWER** is **COMPLETELY OFF** at the fuse box
- Have your fixture installed by a qualified licensed electrician
- Prepare everything in a clear area
- Wear gloves at all time during this installation
- Read instructions carefully before you start assembly
- Keep this installation sheet for future reference

Technical Support: 1-855-855-8926

Please Note:

- All Kuzco LED fixtures come with pre-wired LED module(s).
- Unless instructed to do so, please do not touch any part of the LED module(s) as any unnecessary contact with the module could cause permanent damage.
- For dimming, an ELV (Electronic Low Voltage) type of dimmer is required.

- 1.** Remove the fixture from its original packaging. Next, remove the mounting plate (**1c**) from within the canopy (**2a**) by un-threading the screws (**2b**). Attach the mounting plate (**1c**) to the electrical junction box (**1a**) by using the two screws (**1e**) provided in the hardware package. Make sure to reinforce the wood behind the ceiling and use the wood screws and plastic anchors (**1d**) provided.
- 2.** You are now ready to mount the canopy. First connect all wires correctly black to black "L", white to white "N" and the ground wire with provided marrets (**1b**) from the hardware package. Align the canopy (**2a**) to the mounting plate (**1c**) up against the ceiling. Secure the canopy by using the screws (**2b**) provided.
- 3.** You have now completed the installation of your fixture, enjoy.



KUZCO

19054 28th Avenue Surrey, BC Canada V3Z 6M3
T: 604 538 7162 TF: 1-855 85 KUZCO F: 604 538 7196
W: kuzcolighting.com
20181127