

# LED Flush Mount

## FM13120 INSTALLATION SHEET

### START FROM HERE

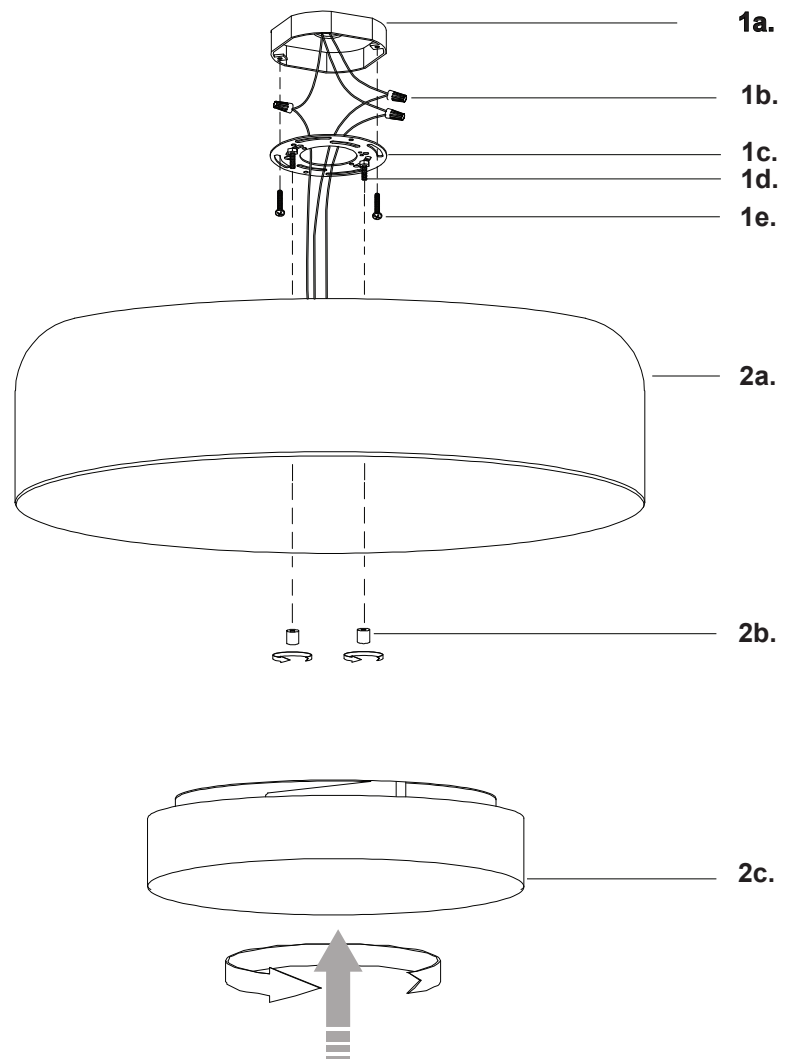
- Make sure **POWER** is **COMPLETELY OFF** at the fuse box
- Have your fixture installed by a qualified licensed electrician
- Prepare everything in a clear area
- Wear gloves at all time during this installation
- Read instructions carefully before you start assembly
- Keep this installation sheet for future reference

**Technical Support:** 1-855-855-8926

### Please Note:

- All Kuzco LED fixtures come with pre-wired LED module(s).
- Unless instructed to do so, please do not touch any part of the LED module(s) as any unnecessary contact with the module could cause permanent damage.
- For dimming, an ELV (Electronic Low Voltage) type of dimmer is required.

- 1.** Remove the fixture from its original packaging. Next, remove the mounting plate **(1c)** from within the canopy **(2a)** by un-threading the two nuts **(2b)**. Secure the mounting plate **(1c)** to the junction box with screws **(1e)**.
- 2.** Connect all wires correctly black to black "L", white to white "N" and the ground wire with provided marettes **(1b)** from the hardware package. Align the threaded studs **(1d)** with the holes on the surface of the canopy **(2a)**. Next, push the canopy **(2a)** to the mounting plate **(1c)** thread on the two nuts **(2b)** on to the threaded studs **(1d)**. This will secure the canopy to the mounting plate.
- 3.** Once this is complete, place the diffuser **(2c)** into the fixture. Gently turn the diffuser **(2c)** clockwise onto the canopy **(2a)** until it locks.
- 4.** You have now completed the installation of your fixture, enjoy.



# KUZCO

19054 28th Avenue Surrey, BC Canada V3Z 6M3  
T: 604 538 7162 TF: 1-855 85 KUZCO F: 604 538 7196  
W: kuzcolighting.com  
20181127