

Exterior LED Lamp Wall Sconce

EW60308

INSTALLATION SHEET

START FROM HERE

- Make sure **POWER** is **COMPLETELY OFF** at the fuse box
- Have your fixture installed by a qualified licensed electrician
- Prepare everything in a clear area
- Wear gloves at all time during this installation
- Read instructions carefully before you start assembly
- Keep this installation sheet for future reference

Technical Support: 1-855-855-8926

Please Note:

- All Kuzco LED fixtures come with pre-wired LED module(s).
- Unless instructed to do so, please do not touch any part of the LED module(s) as any unnecessary contact with the module could cause permanent damage.
- For dimming, an ELV (Electronic Low Voltage) type of dimmer is required.

1. Remove the fixture from its original packaging. Remove the mounting plate (1c) from within the canopy (2a) and attach it to the electrical junction box (1a), using the two screws (1d) provided in the hardware package.

2. Attach the canopy backplate (2a) to the mounting plate. **IMPORTANT:** if your connecting this product to a junction box (3a) skip this paragraph and follow the instructions in the next paragraph 3. First attach all wiring (1b) with the provided marrets (white to white "N", black to black "L", ground to ground "G"). Now direct the canopy backplate (2a) onto the mounting plate (1c). With the canopy backplate seated on the mounting plate, secure with all four set screws (2c) turning clockwise.

3. IMPORTANT: if you're connecting this product to a junction box (3a) follow (illustration 2) First, using the two screws (1d) connect the mounting plate (3d) to the junction box (3a). Now thread the lead wires from the fixture through the nut (4a), canopy (4b), cover plate (3f) and through the centre bolt and attach all wiring (3b) with the provided marrets (white to white "N", black to black "L", ground to ground "G"). Next, align the cover plate (3f) and canopy (4b) to the centre bolt (3c) and secure with nut (4a). With the canopy backplate seated on the mounting plate, secure the fixture (4d) with all four set screws (4c) turning clockwise.

4. You have now completed the installation of your fixture, enjoy.

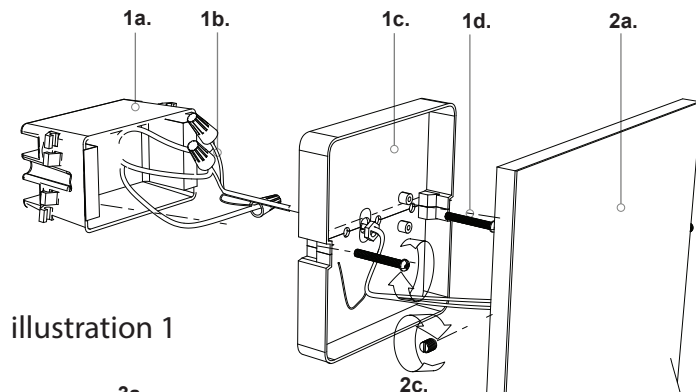


illustration 1

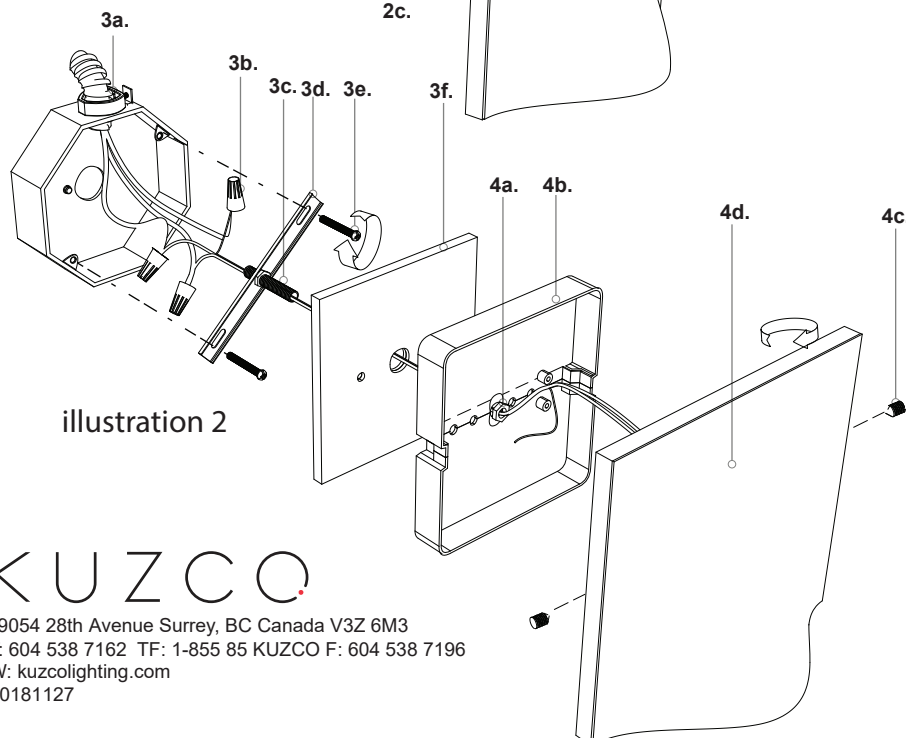


illustration 2

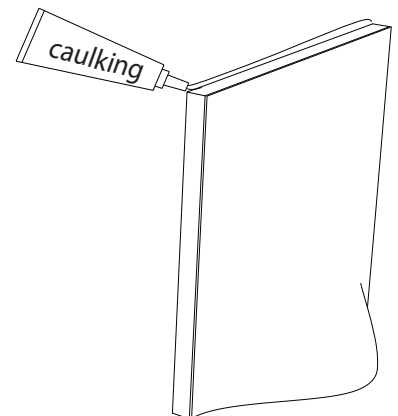


illustration 3

IMPORTANT: To prevent moisture from entering the outlet box and causing a short, seal around the top and side perimeter between the fixture and the wall surface with weather resistant caulking (see illustration 3). The space at bottom should be left un-caulked to prevent moisture build-up.

KUZCO

19054 28th Avenue Surrey, BC Canada V3Z 6M3
T: 604 538 7162 TF: 1-855 85 KUZCO F: 604 538 7196
W: kuzcolighting.com
20181127