

# LED Exterior Wall Sconce

# EW36403

INSTALLATION SHEET

## START FROM HERE

- Make sure **POWER** is **COMPLETELY OFF** at the fuse box
- Have your fixture installed by a qualified licensed electrician
- Prepare everything in a clear area
- Wear gloves at all times during this installation
- Read instructions carefully before you start assembly
- Keep this installation sheet for future reference

### Please Note:

- This Kuzco LED fixture comes with pre-wired LED module(s)
- Unless instructed, Do Not touch any part of the LED module(s) as any unnecessary contact with the module could cause permanent damage
- 120-277V input

Technical Support: 1-855-855-8926

1. Remove fixture from its original package.
2. Separate mounting plate (1c) from canopy (2a) by removing set screws with allen key (2f).
3. Attach mounting plate (1c) to electrical junction box (1a) using junction box screws provided (1e) in hardware package.
4. Make proper electrical connections (black to hot "L", white to neutral "N", ground to "GND") with wire nuts (1b) provided in hardware package.
5. Attach canopy (2a) to mounting plate (1c) with set screws and allen key (2f).
6. Open fixture flaps (2b) to desired position

7. To prevent moisture from entering the electrical junction box (1a) and causing a short, seal around the top and side perimeter between the fixture and the wall surface with weather resistant caulking (Illustration 1). The space at the bottom should be left un-caulked to prevent moisture build up.

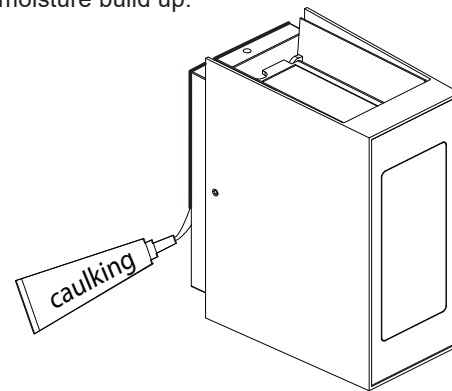
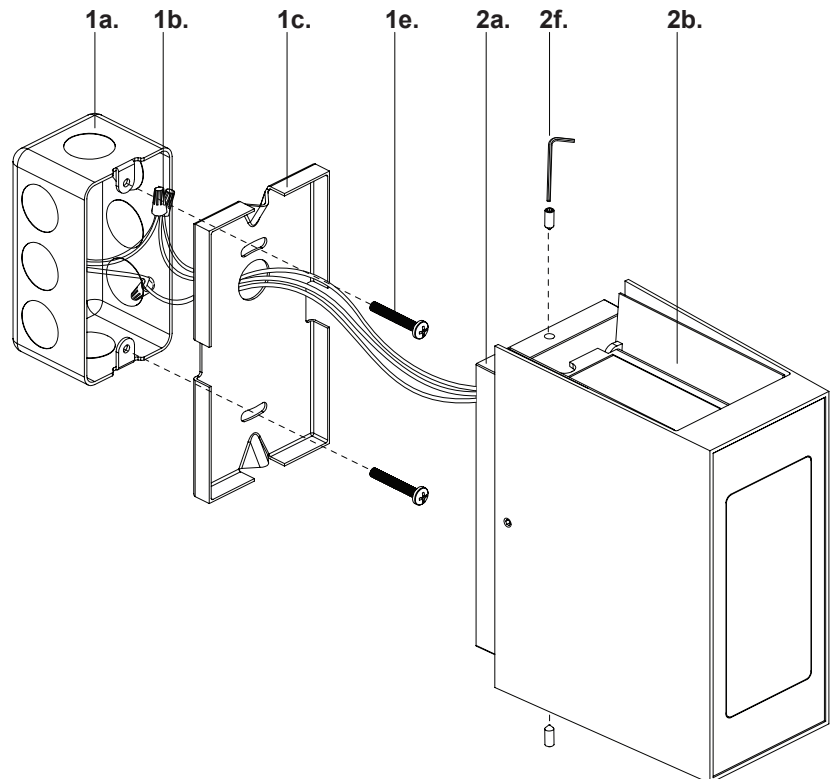


Illustration 1



PRODUCT ID	PART
1c.	XHBR558-BK
1e.	XHPP832-8
2f.	XHSSM4-12
LED Driver	XDR-LSC9-300-UNV-ND
Allen Key	XHAK-M4

**Note: For single gang switch box install only, not intended for Octagon Junction Box. Canopy and backplate for Octagon Junction Box installation sold separately.**

# KUZCO

19054 28th Avenue Surrey, BC Canada V3Z 6M3  
 T: 604 538 7162 TF: 1-855 85 KUZCO F: 604 538 7196  
 W: kuzcolighting.com  
 20200306