

Ceiling Canopy

CNL5AC
INSTALLATION SHEET

START FROM HERE

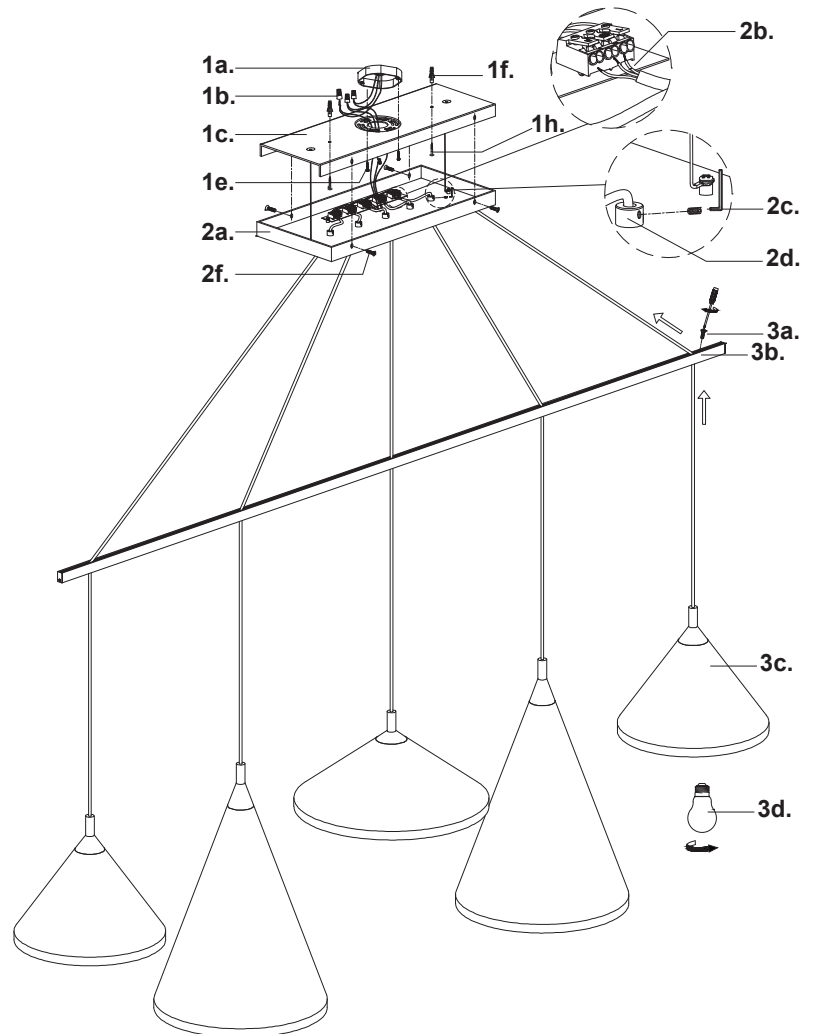
- Make sure **POWER** is **COMPLETELY OFF** at the fuse box
- Have your fixture installed by a qualified licensed electrician
- Prepare everything in a clear area
- Wear gloves at all time during this installation
- Read instructions carefully before you start assembly
- Keep this installation sheet for future reference

Technical Support: 1-855-855-8926

Please Note:

- Dimming options depends on choice of pendants

- 1.** Remove fixture from its original package
- 2.** Separate mounting plate (**1c**) from canopy (**2a**) by removing canopy screws (**2f**)
- 3.** Attach mounting plate (**1c**) to electrical junction box (**1a**) using screws provided (**1e**) in hardware package
- 4.** Secure mounting plate (**1c**) to mounting surface with additional anchors (**1f**) and screws (**1h**)
- 5.** Remove lamp shade (**3c**) from its original package, remove canopy attached from wire
- 6.** Bring lamp shade wires through hanging horizontal bar (**3b**) and into canopy through strain relief (**2d**), temporarily lock set screws (**2c & 3a**) to secure. Make proper electrical connections (black to hot "L", white to neutral "N", ground to "GND") with wire nuts (**1b**) provided in hardware package
- 7.** Adjust hanging height of lamp shades (**3c**) to the desired distance from the horizontal hanging bar (**3b**) and lock into place with set screws (**3a**). Adjust the height of the horizontal hanging bar (**3b**) to the desired distance from the canopy (**2a**) and lock into place with set screws (**2c**)
- 8.** Cut and strip excess wire. Push lever on the terminal block (**2b**) and make the electrical connections for the lamp shades (**3c**)
- 9.** Secure the canopy (**2a**) to the mounting plate (**1c**) using the canopy screws (**2f**). If applicable, insert lamp (**3d**) into the socket in lamp shade (**3c**)



KUZCO

19054 28th Avenue Surrey, BC Canada V3Z 6M3
T: 604 538 7162 TF: 1-855 85 KUZCO F: 604 538 7196
W: kuzcolighting.com
20200810