

Ceiling LED Pendant

CH9528
INSTALLATION SHEET

START FROM HERE

- Make sure power is completely off at the fuse box.
- Have your fixture installed by a qualified licensed electrician
- Prepare everything in a clear area.
- Wear gloves at all times during this installation.
- Read instructions carefully before you start assembly.
- Keep this instruction sheet for future reference.

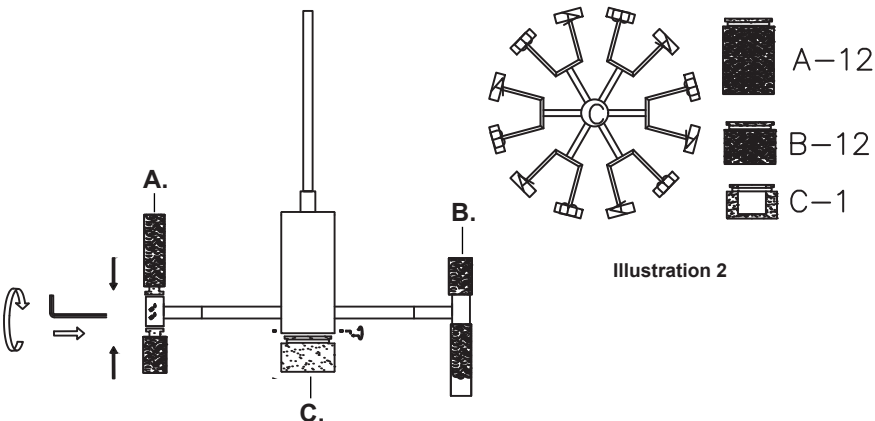
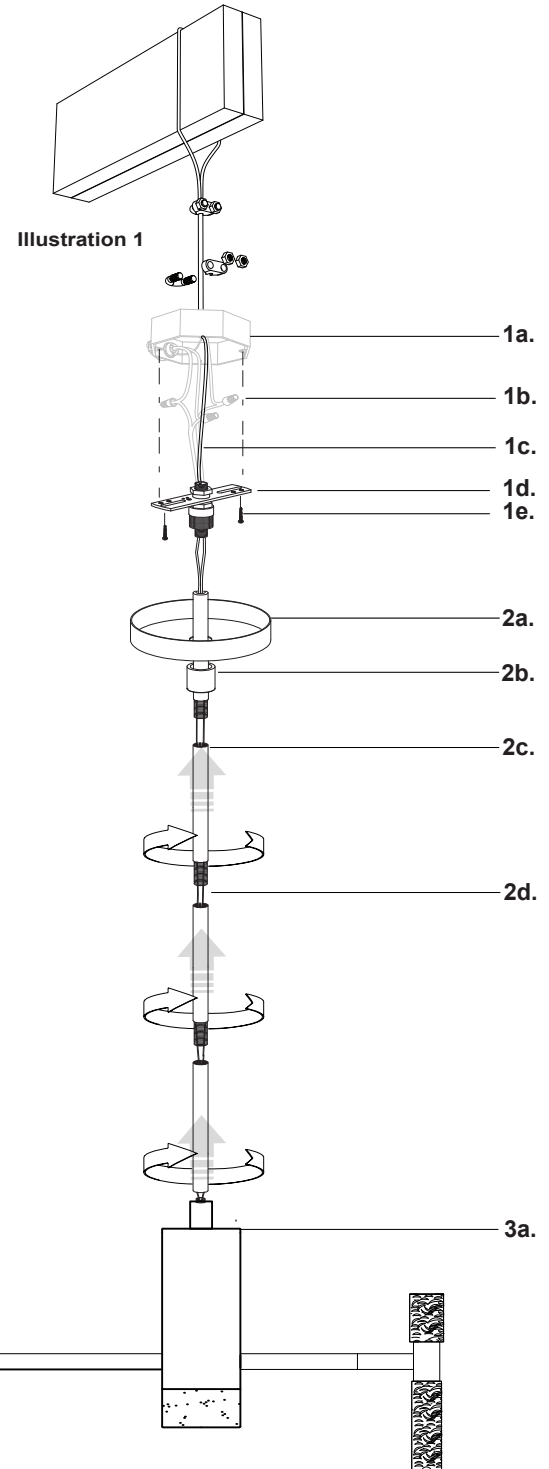
Technical Support: 1-855-855-8926

Please Note:

- All Kuzco LED fixtures come with pre-wired LED module(s).
- Unless instructed to do so, please do not touch any part of the LED module(s) as any unnecessary contact with the module could cause permanent damage.
- For dimming, an ELV (Electronic Low Voltage) type of dimmer is required.

CAUTION: This fixture weighs in excess of 30 Lbs! Utilize appropriate anchors and junction box hardware to support the load. The installer should be aware of the weight and fully confirm that the junction box has been installed in a manner appropriate to supporting the load. Add additional suitably rated mounting provisions to the junction box if necessary! Additionally, we strongly recommend that the installer connects the provided fixture safety cable to the junction box - and preferably to an additional secondary roof member, or other suitable point that is separately capable of supporting the full load of the fixture. This in case of failure of the primary mounting means.

1. Remove the fixture from its original packaging. Remove the mounting bracket (1d) from within the canopy (2a) by removing decorative nut (2b). Secure the mounting bracket (1d) to the reinforced junction box (1a) with the screws (1e) provided in the hardware package.
2. Before you mount the canopy to the mounting plate select the desired length you wish the pendant to hang. To shorten or lengthen the fixture (3a) just remove or add conduit sections (2c) by threading clockwise for adding and counter clockwise for removing. Next fish the leads (2d) and failsafe wire (1c) through the conduit sections. Connect the fixture (3a) at the end of the conduit sections by threading clockwise and secure tightly.
3. You are now ready to mount the canopy to the mounting plate. First, place the canopy (2a) and decorative nut (2b) through the conduit sections. Use the failsafe wire (1c) and attach it to a suitable supporting member as a failsafe restraint (as shown in illustration 1). Connect all wires correctly L live wire (black to black) N neutral wire (white to white) and G ground to ground with provided marettes (1b) from the hardware package. Attach the conduit sections to the mounting bracket (1d) by threading clockwise. Secure the fixture by attaching the canopy (2a) using the decorative nut (2b).
4. Last steps, connect (thread clockwise) all conduit sections. Now connect (thread set screws with Allen Key) all acrylic diffusers to sockets see illustration 2.
5. You have now completed the installation of your fixture, enjoy.



KUZCO

19054 28th Avenue Surrey, BC Canada V3Z 6M3
T: 604 538 7162 TF: 1-855 85 KUZCO F: 604 538 7196
W: kuzcolighting.com
20181107