

# LED Chandelier

**CH19220**  
INSTALLATION SHEET

## START FROM HERE

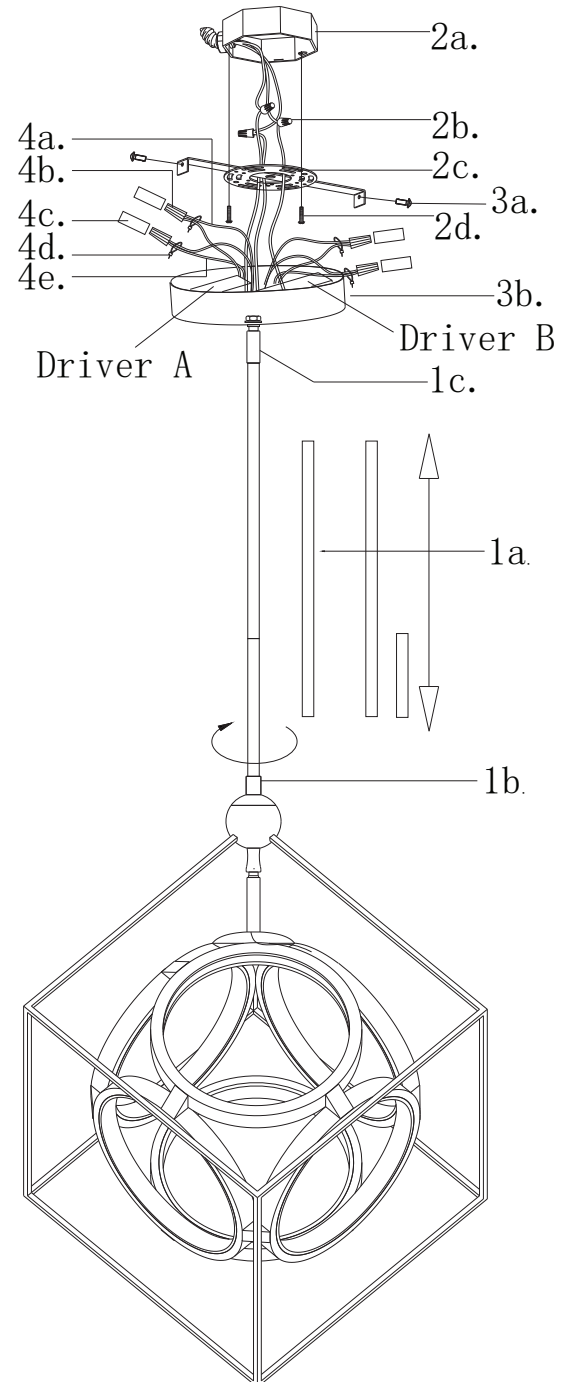
- Make sure power is completely off at the fuse box.
- Have your fixture installed by a qualified licensed electrician
- Prepare everything in a clear area.
- Wear gloves at all times during this installation.
- Read instructions carefully before you start assembly.
- Keep this instruction sheet for future reference.

**Technical Support:** 1-855-855-8926

### Please Note:

- For dimming, a TRIAC or ELV type of dimmer is required.

- 1.** Remove the fixture from its original packaging. Next, remove the mounting plate (**2c**) from the canopy (**3b**) by removing the screws (**3a**). Attach the mounting plate (**2c**) to the electrical junction box (**2a**) using the two screws (**2d**) provided in the hardware package.
- 2.** Before you mount the canopy to the mounting plate, select the hanging height of the fixture. To decrease the hanging height, first disconnect the wires (**4e**) coming from the hub (**1b**) and the wires (**4a**) from DC Driver and then, remove the extension rods (**1a**) within the connector (**1c**) and the fixture hub (**1b**).
- 3.** Once the rods are fully connected and wires (**4e**) are pulled into the canopy, connect the wires (**4e**) to the DC Driver by using the wire connector (**4b**) provided (Black to black and white to white).
- 4.** You are now ready to mount the canopy (**3b**) to the mounting plate (**2c**). First connect all wires from the driver to the wires from the junction box correctly G ground to ground, N neutral wire (white to white), L live wire (black to black) with provided marrettes (**2b**) from the hardware package. Push the canopy (**3b**) up towards the ceiling and secure with the screws (**3a**).
- 5.** You have now completed the installation of your fixture, enjoy.



**KUZCO**

19054 28th Avenue Surrey, BC Canada V3Z 6M3  
T: 604 538 7162 TF: 1-855 85 KUZCO F: 604 538 7196  
W: kuzcolighting.com  
20190104