

LED Chandelier

CH16730

INSTALLATION SHEET

START FROM HERE

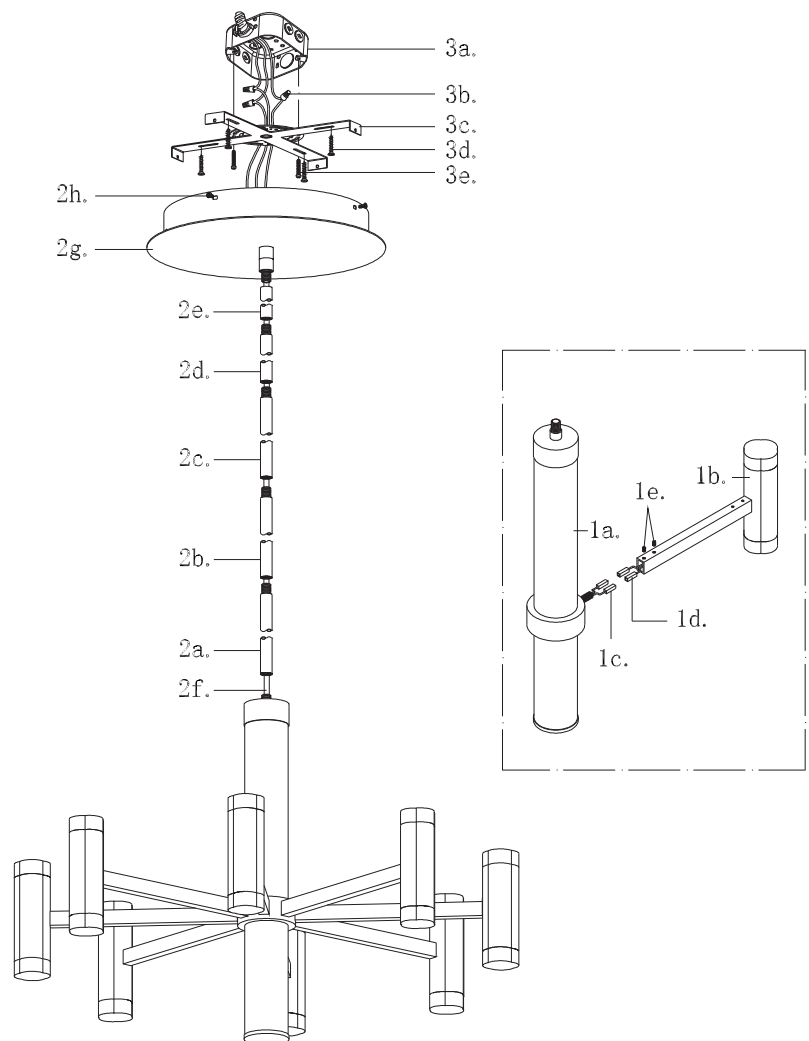
- Make sure power is completely off at the fuse box.
- Have your fixture installed by a qualified licensed electrician
- Prepare everything in a clear area.
- Wear gloves at all times during this installation.
- Read instructions carefully before you start assembly.
- Keep this instruction sheet for future reference.

Technical Support: 1-855-855-8926

Please Note:

- For dimming, a TRIAC or ELV type of dimmer is required.

- 1.** Remove the fixture from its original packaging. Next, remove the mounting plate (3c) from the canopy cover (2g) by removing the screws (2h). Install the mounting plate (3c) to the junction box (3a) with screws (3e). For additional security add screws (3d) through the mounting plate (3c) to the ceiling.
- 2.** Next, to attach the fixture arm (1b) to the fixture hub (1a), install the quick connector (1c) from the hub (1a) to the connector (1d) in the fixture arm (1b). Push in the fixture arm to the hub and secure with set screws (1e) provided and push the extra wire back into hub. Repeat assembly for the remaining fixture arms.
- 3.** Before you mount the canopy to the mounting plate, select the desired length of the fixture to hang. Add extension rods (from 2a to 2e) by threading clockwise. Next pull the wires (2f) through the extension rods.
- 4.** You are now ready to mount the canopy to the mounting plate. First connect all wires correctly G ground to ground, N neutral wire (white to white), L live wire (black to black) with provided marrettes (3b) from the hardware package. Push the canopy (2g) up towards the ceiling and screw on the four screws (2h), this will secure the canopy (2g) to the mounting plate (3c).
- 5.** You have now completed the installation of your fixture, enjoy.



KUZCO

19054 28th Avenue Surrey, BC Canada V3Z 6M3
T: 604 538 7162 TF: 1-855 85 KUZCO F: 604 538 7196
W: kuzcolighting.com
20181221