

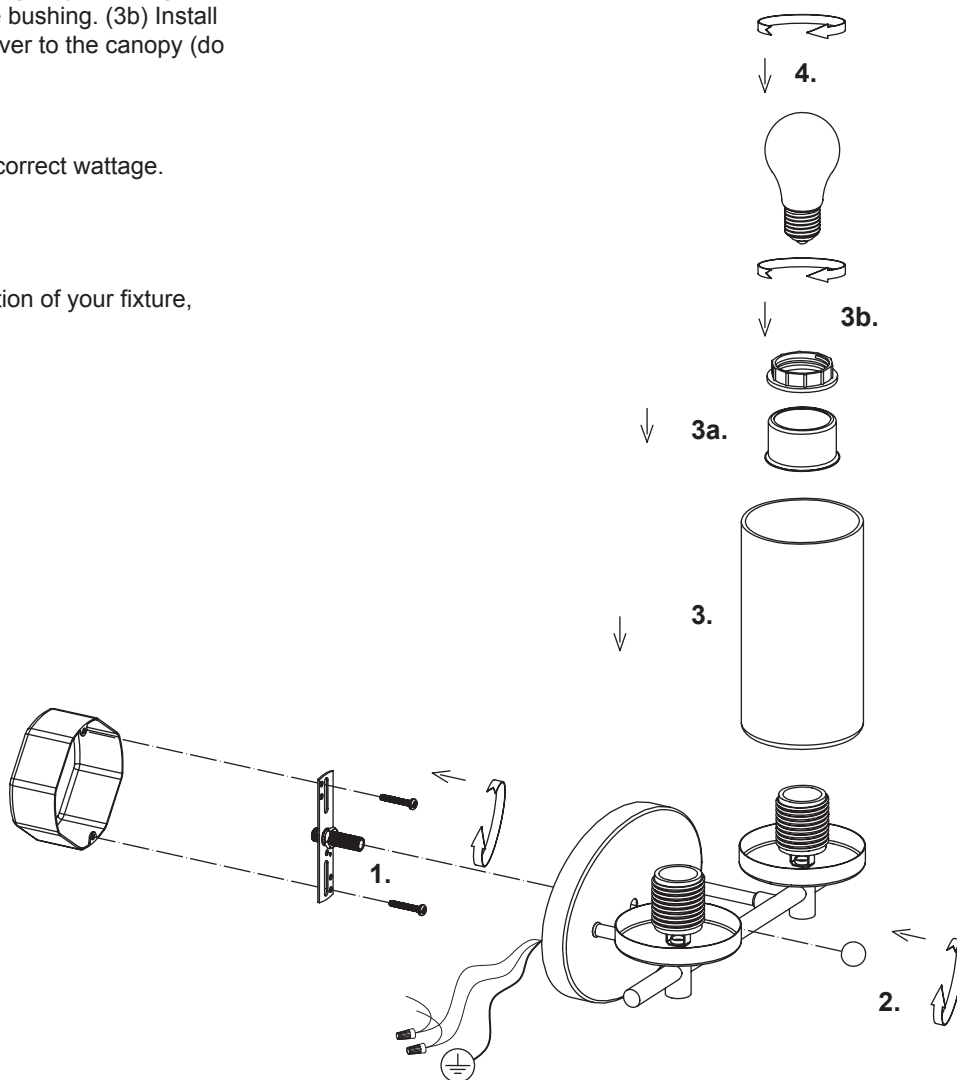
Two Lamp Vanity Fixture

1. Remove the fixture from its original packaging. Remove the canopy mounting plate from within the canopy and attach it to the electrical junction box, and wall, using the two screws provided in the hardware package.
2. Attach the canopy to the mounting plate which is attached to the electrical junction box on the wall. First attach all wiring with the provided marrets (white to white "N", black to black "L", ground to ground "G"). Push the screws through the canopy plate so they are poking through, once this is complete you can screw on the decorative nuts until tight.
3. Gently place a glass light cover onto the fixture by inserting the light bulb socket into the hole in the bottom of the cover. (3a) Install the bulb socket bushing by gently inserting the light bulb socket into the center of the bushing. (3b) Install the locking nut to secure the glass cover to the canopy (do not over tighten).
4. Now install the A-19 light bulb of the correct wattage.
5. You have now completed the installation of your fixture, please enjoy.

START FROM HERE

- Make sure power is completely off at the fuse box.
- Have your fixture installed by a qualified licensed electrician
- Prepare everything in clear area.
- Wear gloves at all times during this installation.
- Read instructions carefully before you start assembly.
- Keep this instruction sheet for future reference.

Technical Support: 1-877-452-6858



KUZCO
LIGHTING

19054 28th Avenue Surrey, BC Canada V3Z 6M3
T: 604 538 7162 TF: 1-855 85 KUZCO F: 604 538 7196
W: kuzcolighting.com
20140624