

Incandescent Wall Sconce

60331
INSTALLATION SHEET

START FROM HERE

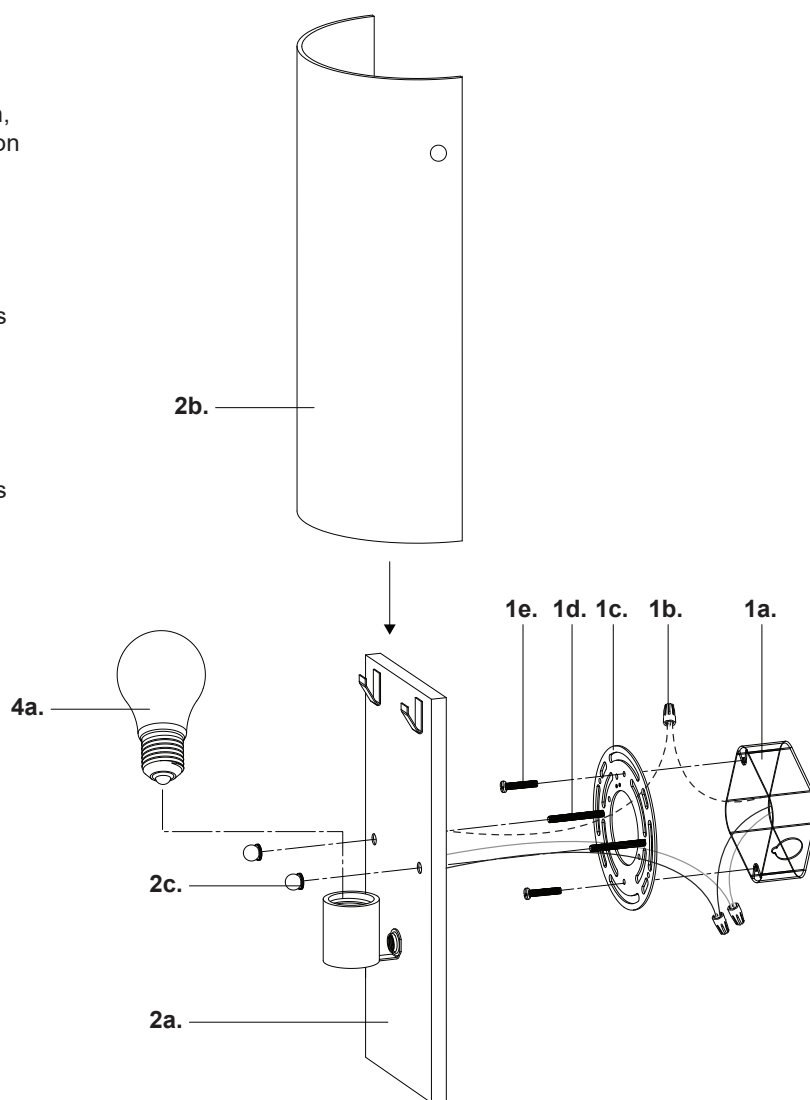
Please Note:

- 120V input

- Make sure **POWER** is **COMPLETELY OFF** at the fuse box
- Have your fixture installed by a qualified licensed electrician
- Prepare everything in a clear area
- Wear gloves at all time during this installation
- Read instructions carefully before you start assembly
- Keep this installation sheet for future reference

Technical Support: 1-855-855-8926

- 1.** Remove fixture from its original package
- 2.** Separate mounting plate (1c) from backplate (2a) by removing decorative nuts (2c)
- 3.** Align mounting plate screws (1d) to desired orientation, and then attach mounting plate (1c) to electrical junction box (1a) using junction box screws (1e) provided in hardware package
- 4.** Make proper electrical connections (**black to hot "L"**, **white to neutral "N"**, **ground to "GND"**) with wire nuts (1b) provided in hardware package
- 5.** Align and insert mounting plate screws (1d) through holes on backplate (2a), secure with decorative nuts (2c) (**Note:** brushed nickel and chrome decorative nuts are included and are interchangeable)
- 6.** Insert bulb (4a) into fixture socket
- 7.** Hook shade (2b) to canopy (2a) hooks to secure



KUZCO

19054 28th Avenue Surrey, BC Canada V3Z 6M3
T: 604 538 7162 TF: 1-855 85 KUZCO F: 604 538 7196
W: kuzcolighting.com
20220506