

# Incandescent Flush Mount

**51562**  
INSTALLATION SHEET

## START FROM HERE

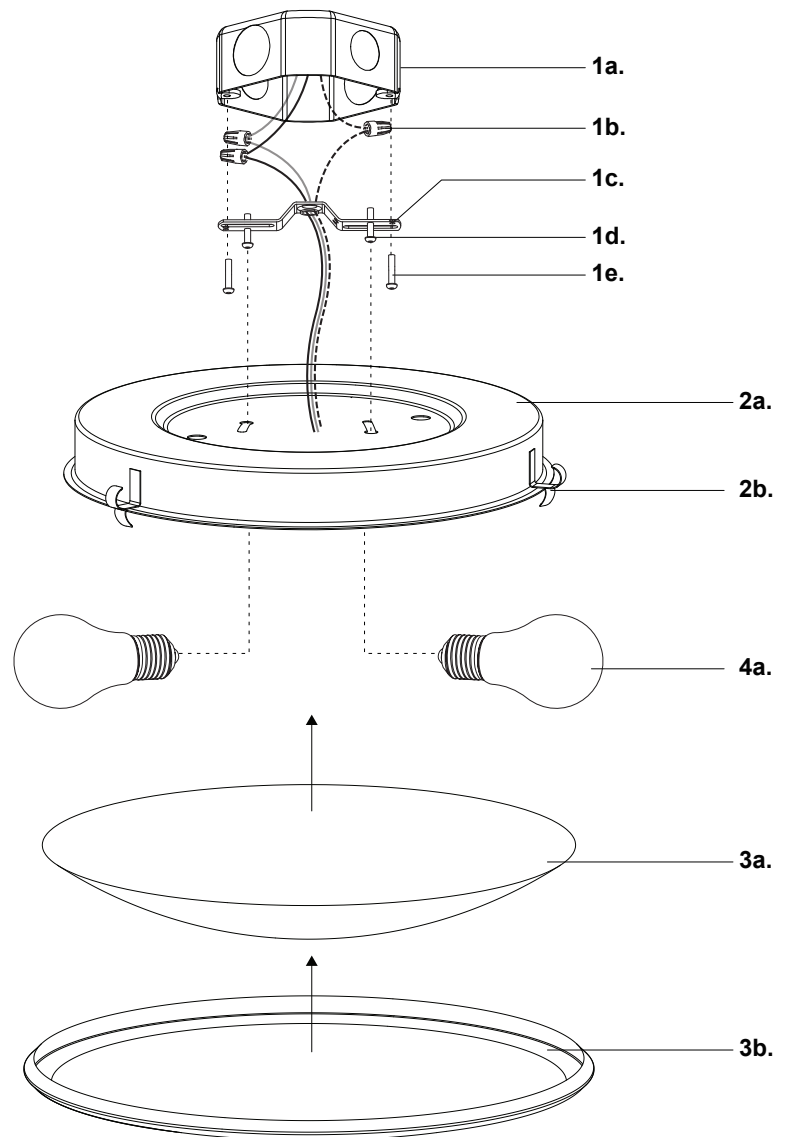
- Make sure **POWER** is **COMPLETELY OFF** at the fuse box
- Have your fixture installed by a qualified licensed electrician
- Prepare everything in a clear area
- Wear gloves at all times during this installation
- Read instructions carefully before you start assembly
- Keep this installation sheet for future reference

### Please Note:

- 120V input

**Technical Support:** 1-855-855-8926

- 1.** Remove fixture from its original package
- 2.** Attach crossbar (**1c**) to electrical junction box (**1a**) using junction box screws (**1e**) provided in hardware package
- 3.** Make proper electrical connections (**black to hot "L"**, **white to neutral "N"**, **ground to "GND"**) with wire nuts (**1b**) provided in hardware package
- 4.** Install Pan-Head Crossbar Mounting Screws (**1d**) halfway into threaded holes on crossbar (**1c**). Align keyholes on backplate (**2a**) to Pan-Head Crossbar Mounting Screws (**1d**) heads, insert and turn, and then secure with screw driver
- 5.** Insert bulbs (**4a**) into fixture sockets
- 6.** Gently pull back clips (**2b**) to secure glass (**3a**) onto backplate (**2a**), followed by the ring (**3b**) until it clicks into place (**Note:** do not apply too much pressure, as excessive pressure will cause the glass to crack or break)



KUZCO

19054 28th Avenue Surrey, BC Canada V3Z 6M3  
T: 604 538 7162 TF: 1-855 85 KUZCO F: 604 538 7196  
W: kuzcolighting.com  
20221031