

Ceiling Pendant

411908
INSTALLATION SHEET

START FROM HERE

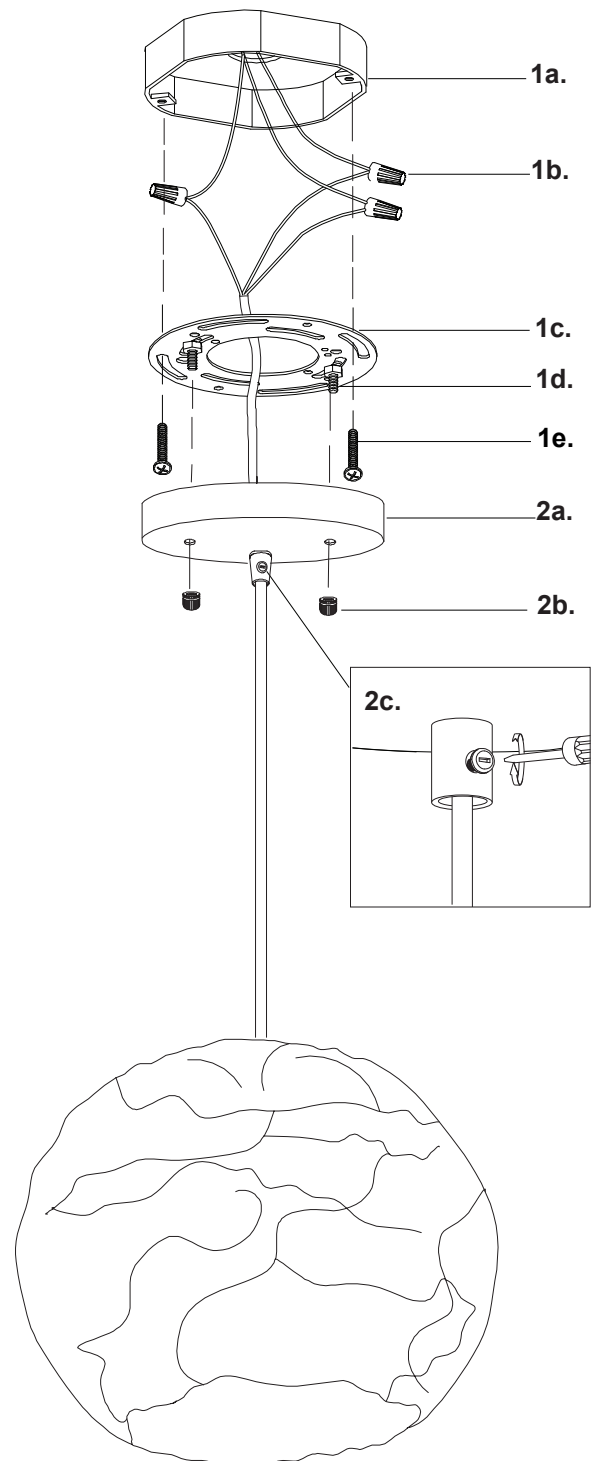
- Make sure power is completely off at the fuse box.
- Have your fixture installed by a qualified licensed electrician
- Prepare everything in a clear area.
- Wear gloves at all times during this installation.
- Read instructions carefully before you start assembly.
- Keep this instruction sheet for future reference.

Technical Support: 1-877-452-6858

Please Note:

- All Kuzco LED fixtures come with pre-wired LED module(s).
- Unless instructed to do so, please do not touch any part of the LED module(s) as any unnecessary contact with the module could cause permanent damage.
- For dimming, an ELV (Electronic Low Voltage) type of dimmer is required.

- 1.** Remove the fixture from its original packaging. Remove the mounting bar (**1c**) from within the canopy (**2a**) by removing the two decorative nuts (**2b**). Secure the mounting plate (**1c**) to the junction box (**1a**) with the screws (**1e**) provided in the hardware package.
- 2.** Before you mount the canopy (**2a**) to the mounting bar (**1c**) select the desired length you wish the pendant to hang. To shorten or lengthen the fixture, loosen the set screw (**2c**) and pull/push the cable to desired length. Tighten the set screw (**2c**) to secure.
- 3.** You are now ready to mount the canopy (**2a**) to the mounting plate (**1c**). First connect all wires correctly L live wire (black to black) N neutral wire (white to white) and G ground to ground with provided marettes (**1b**) from the hardware package. Align the threaded studs (**1d**) hanging downward from the mounting bar (**1c**) to the holes inside the canopy (**2a**). Push the canopy (**2a**) up towards the ceiling so the two screws point through the hole in the canopy (**2a**). You can now screw on the decorative nuts (**2b**) onto the threaded studs (**1d**) pointing through the canopy and securely connect the canopy (**2a**) to the mounting plate (**1c**).
- 5.** You have now completed the installation of your fixture, enjoy.



KUZCO

19054 28th Avenue Surrey, BC Canada V3S 6M3
T: 604 538 7162 TF: 1-855 85 KUZCO F: 604 538 7196
W: kuzcolighting.com
20190117