

# PD70615

Specification Sheet

## Pendant Lamp



VB - Vintage Brass

### Other Finishes:



BN - Brushed Nickel

### Product Descriptions

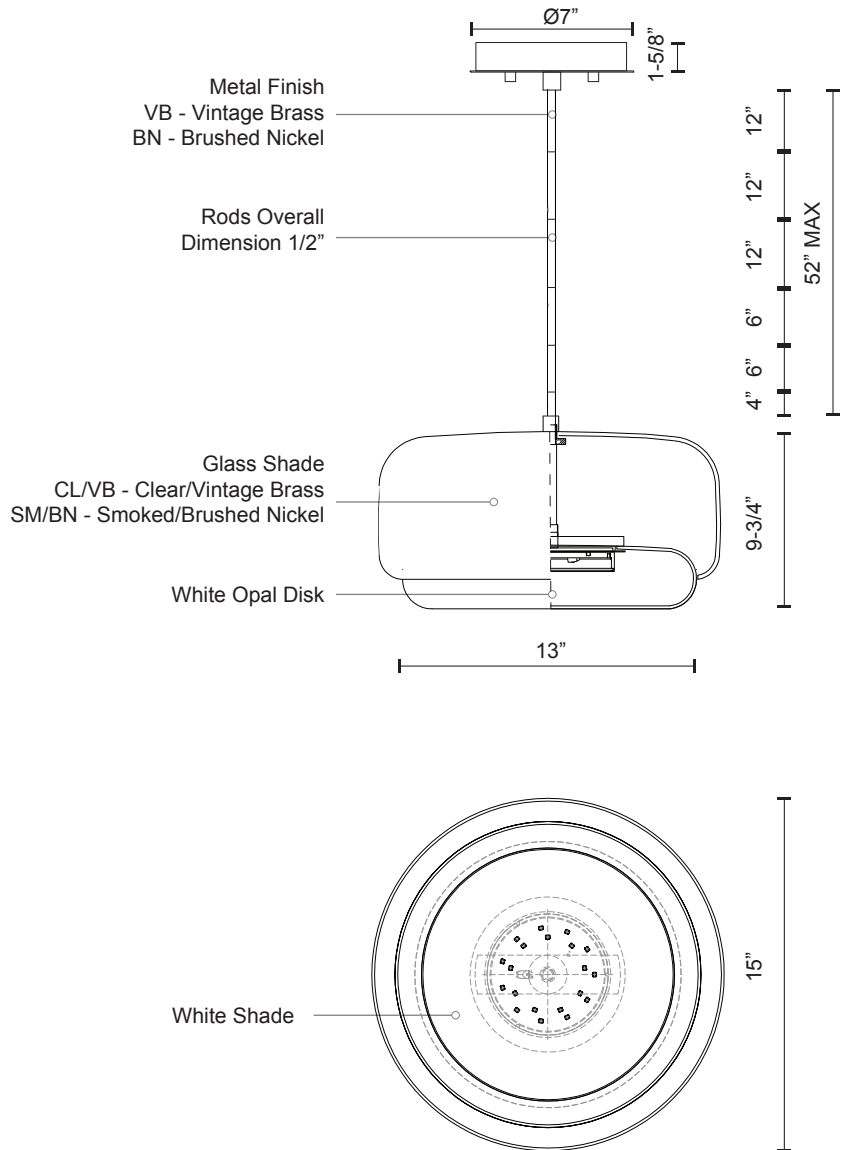
Available in two different dimensions, the design offers rounded, minimal forms. The smoked glass/clear glass exterior embraces an opal interior disc that conceals the light source, diffusing light for a warm glow. Sophisticated simplicity draws attention to the exquisite fit and finish.

### Product Details

High system efficacy  
 Low total life cycle cost  
 5-year LED and fixture warranty  
 Complete warranty terms located at:  
[www.kuzcolighting.com/warranty](http://www.kuzcolighting.com/warranty)  
 DC Driver in canopy.  
 Available in vintage brass (w/ clear glass) and brushed nickel (w/ smoked glass). 52" max rod height. White opal disk  
 Dimmable with ELV or TRIAC dimmer (not included)  
 Custom options available

PROJECT					
DATE				TYPE	
<b>Voltage</b>	<b>Watt</b>	<b>LED Lumens</b>	<b>Delivered Lumens</b>	<b>Finish(es)</b>	
120V	37W	3000lm*	1590lm*	VB - Vintage Brass	Color Temp 3000K
120V	37W	3000lm*	1590lm*	BN - Brushed Nickel	CRI (Ra) >90
					Dimming 100% - 10%
					Rated Life 50,000 hours

\*Preliminary figures



Comments:

Canopy dimensions:  
 D7 x H1-5/8"