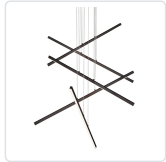


VEGA MP10305

PENDANTS

PROJECT



MP10305-BK
Black



MP10305-BG
Brushed Gold



MP10305-BN
Brushed Nickel



MP10305-WH
White

SPECIFICATION DETAILS

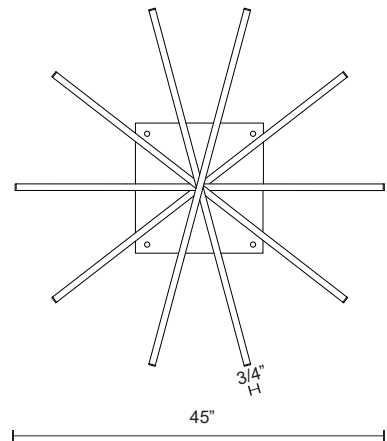
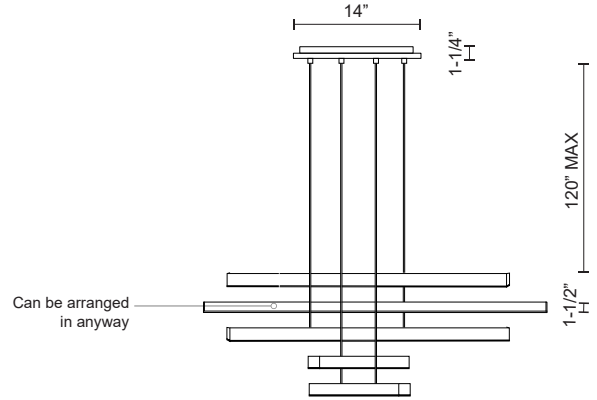
Fixture Dimensions	L45" x W3/4" x H1-1/2"
Light Source	AC LED Module
Wattage	158W
Total Lumens	11980lm
Delivered Lumens	BK-5065lm; BN-7755lm; WH-8525lm;
Voltage	120V
Color Temperature	3000K
CRI (Ra)	90CRI
Optional Color Temps	2700K - 5000K Available, Minimum Order Quantities Apply
LED Rated Life	50,000 hours
Dimming	100% - 10%, ELV Dimmer (Not Included)
Diffuser Details	White Acrylic Diffuser
Adjustable	Yes
Wire Length	120" Max
Wire Type	Clear SSL Wire
Minimum Hang Height	8"
Sloped Ceiling Adaptable	Yes
Location	Dry
Canopy Dimensions	L14" x W14" x H1-1/4"
Paint Finish	BG01; BK02; BN02; WH02;

* For custom options, consult factory for details.

* For warranty information, please visit www.kuzcolighting.com/warranty

DESCRIPTION

The linear lights can be configured at different heights and angles to create distinct sculptural orientations. Ordered into clean parallels or jumbled in playful asymmetry, Vega can be customized to complement any space.



KUZCO

CANADA: 19054 28TH AVENUE - SURREY, BC V3Z 6M3
USA: 3035 E. LONE MOUNTAIN ROAD - LAS VEGAS, NV 89081

WWW.KUZCOLIGHTING.COM

© 2018 KUZCO LIGHTING. ALL RIGHTS RESERVED.

COMMENT

