

CH78220

Specification Sheet

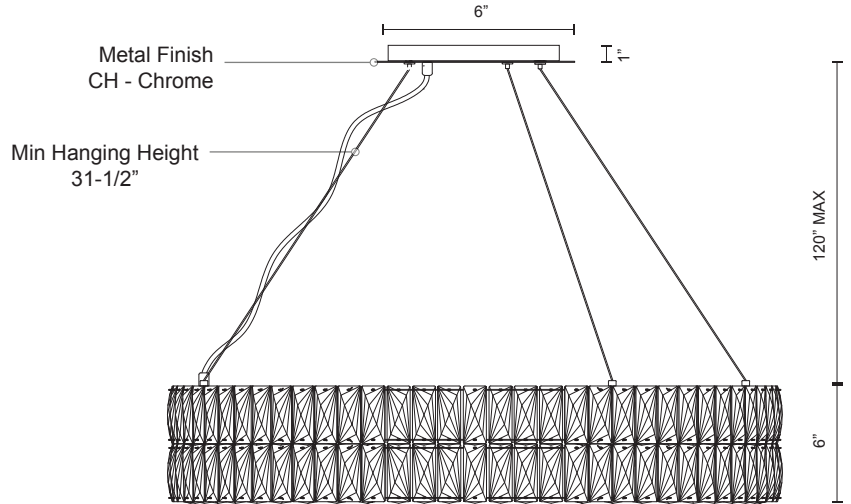
Pendant Lamp



CH - Chrome

PROJECT						V 1.0
DATE						TYPE
Voltage	Watt	LED Lumens	Delivered Lumens	Finish(es)		Color Temp 3000K CRI (Ra) >90 Dimming 100% - 10% Rated Life 50,000 hours
120V	60W	4800lm	2700lm*	CH - Chrome		

*Preliminary figures

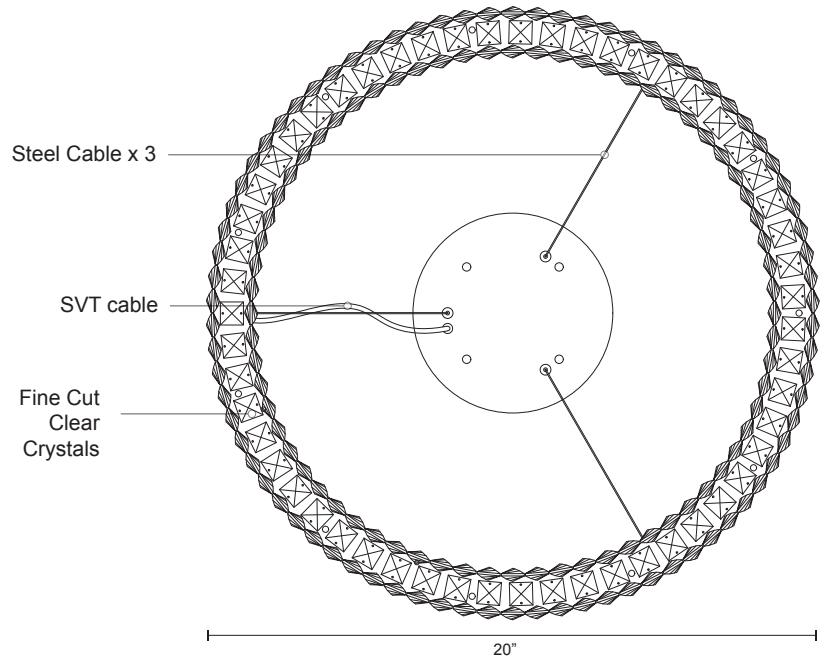


Product Features

Aircraft cable suspended pendant with a double circular ring of diamond cut clear crystal glass and circular Chrome canopy. Maximum cable length of 120", and is provided with our powerful 120V AC LED technology, W, fully dimmable.

Product Details

High system efficacy
 Low total life cycle cost
 No visible flicker AC operation
 Labels UL and C-UL Listed
 5-year LED warranty and 1-year fixture warranty.
 Complete warranty terms located at:
www.kuzcolighting.com/warranty
 LED DC Driver.



Three steel cable and one svt cable.
 Min hang height of 31-1/2"
 Available in chrome metal finish.

Comes with interior wiring
 Dimmable with ELV dimmer (not included)
 Custom options available

Fixture Weight:

Canopy dimensions:
 D6" x W1"

Comments: