

49117

Specification Sheet

Pendant



GH/CP - Graphite with Copper

PROJECT					
DATE				TYPE	
Voltage	Watt	LED Lumens	Delivered Lumens	Finish(es)	Color Temp
120V	1 x 60W*	N/A	N/A	GH - Graphite (Exterior)	N/A
120V	1 x 60W*	N/A	N/A	WH - White (Exterior)	N/A
					CRI(Ra)
					N/A
					Dimming
					N/A
					Rated Life
					N/A

*Preliminary figures

Exterior:



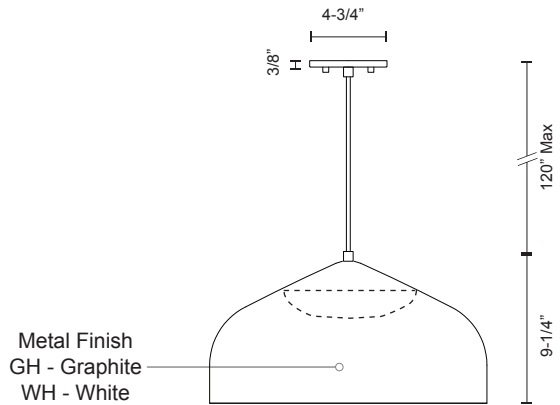
GH - Graphite



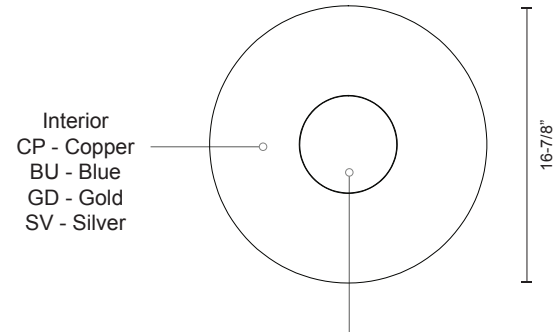
WH - White

Interior:

- CP - Copper
- BU - Blue
- GD - Gold
- SV - Silver



Metal Finish
GH - Graphite
WH - White



Interior
CP - Copper
BU - Blue
GD - Gold
SV - Silver

High Efficiency
Spherical Polymeric Diffuser
+ Lamp Cover

Product Descriptions

Single-lamp pendant with spun aluminum shade showcasing powder-coated finishes in contrasting hues. Exterior shade colors are graphite or white, with either silver, gold, copper or blue on the interior. Available in two sizes.

Product Details

High system efficacy. Low total life cycle cost. ETL Listed.

5-years warranty.

Complete warranty terms located at:

www.kuzcolighting.com/warranty

Lamp type incandescent with E26 medium base bulb (bulb not included).

Canopy dimensions:
D: 4-3/4"; H: 3/8"

Comments: