

Single LED Wall Sconce

WS2413
INSTALLATION SHEET

START FROM HERE

- Make sure power is completely off at the fuse box.
- Have your fixture installed by a qualified licensed electrician
- Prepare everything in a clear area.
- Wear gloves at all times during this installation.
- Read instructions carefully before you start assembly.
- Keep this instruction sheet for future reference.

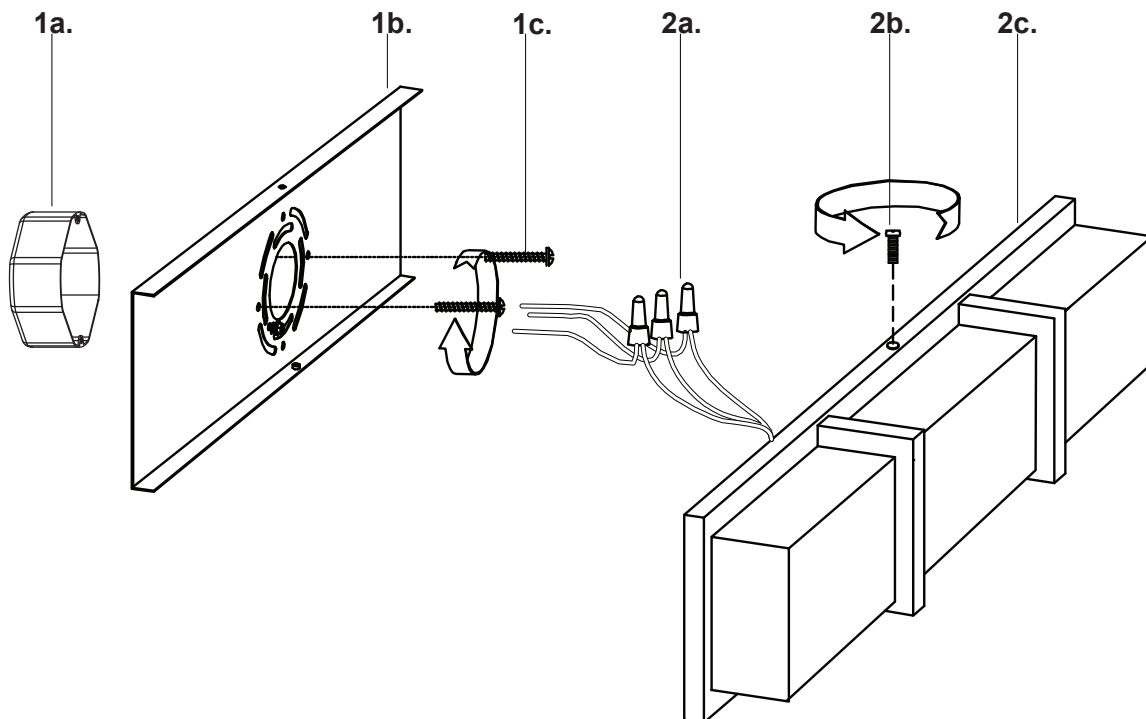
Technical Support: 1-877-452-6858

Please Note:

- All Kuzco LED fixtures come with pre-wired LED module(s).
- Unless instructed to do so, please do not touch any part of the LED module(s) as any unnecessary contact with the module could cause permanent damage.
- For dimming, an ELV (Electronic Low Voltage) type of dimmer is required.

CAUTION: HEAVY FIXTURE, THE JUNCTION BOX NEEDS TO BE REINFORCED BEFORE INSTALLATION.

- 1.** Remove the fixture from its original packaging. Remove the canopy mounting plate (**1b**) from within the canopy (**2c**) and attach it to the electrical junction box (**1a**) on the wall, using the two screws provided in the hardware
- 2.** Attach the canopy to the mounting plate to the electrical junction box. First attach all wiring (**2a**) with the provided marrets (white to white "N", black to black "L", ground to ground "G"). Push the canopy (**2c**) onto the mounting plate (**1b**), and align the holes (above & below) on the canopy (**2c**) to the holes on the mounting plate. Once aligned, screw in the two small machine bolts (**2b**) provided to secure the fixture to the wall.
- 3.** You have now completed the installation of your fixture, please enjoy.



KUZCO
LIGHTING

19054 28th Avenue Surrey, BC Canada V3Z 6M3
T: 604 538 7162 TF: 1-855 85 KUZCO F: 604 538 7196
W: kuzcolighting.com
20140912